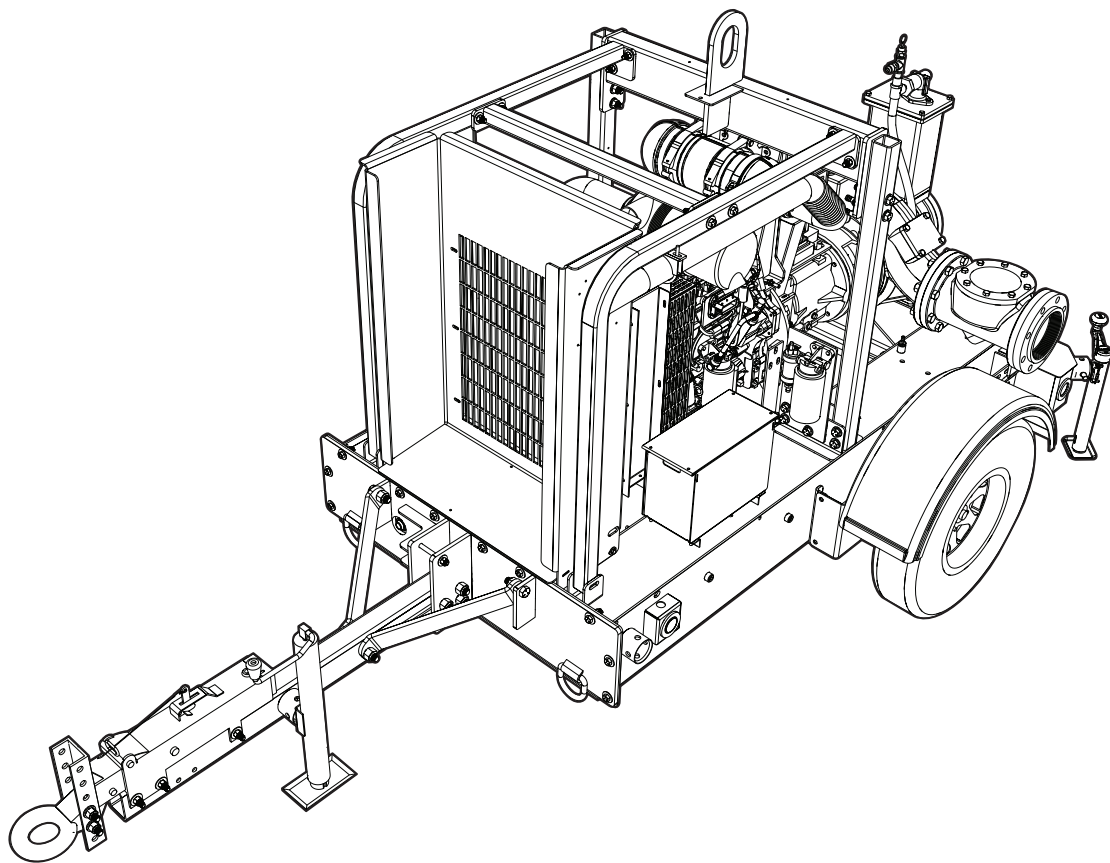


GENERAC[®] | **MAGNUM**

**DRY-PRIME DIESEL TRASH PUMP
MTP6DZV**



02144

PARTS MANUAL

⚠ WARNING

California Proposition 65. Engine exhaust and some of its constituents are known to the state of California to cause cancer, birth defects, and other reproductive harm.

(000004)

⚠ WARNING

California Proposition 65. This product contains or emits chemicals known to the state of California to cause cancer, birth defects, and other reproductive harm.

(000005)

⚠ WARNING

Environmental Hazard. Always recycle batteries at an official recycling center in accordance with all local laws and regulations. Failure to do so could result in environmental damage, death or serious injury.

(000228)

Introduction

This parts manual was prepared based on the information available at the time of publication and is subject to change without notice. Generac Mobile Products reserves the right to change parts at any time. To check whether a revised parts manual is available, contact Generac Mobile Products.

DO NOT MODIFY or use this equipment for any application other than which it was designed for. To keep your equipment fully operational, it is suggested you maintain a stock of commonly used maintenance or service parts. A recommended spare parts list can be found in the back of this manual. To order service parts, please go to www.generacmobileproducts.com or call Generac Mobile Products.

▲ WARNING

Before operating or servicing this equipment, read and understand the Generac Mobile Products Operating Manual which was included with the unit when shipped from the factory. Failure to do so increases the risk of injury to yourself or others.

GENERAC MOBILE PRODUCTS LLC

215 Power Drive • Berlin, WI 54923 U.S.A.

Phone: 920-361-4442

FAX: 920-361-4416

Toll Free: 1-800-926-9768

www.generacmobileproducts.com

For technical or parts QUESTIONS, please contact the Generac Mobile Products Technical Service team at 1-800-926-9768.

Engine Make: _____

Engine Serial Number: _____

Engine Model Number: _____

Pump Make: _____

Pump Model Number: _____

Pump Serial Number: _____

Unit Model Number: _____

Unit Serial Number: _____

This Page Intentionally Left Blank

Table of Contents

| | |
|---|-----|
| Introduction | iii |
| Parts Manual Instructions..... | 1 |
| Unit Decals - Left Side..... | 2 |
| Unit Decals - Right Side | 4 |
| Control Panel Assembly | 6 |
| Air Filter Assembly..... | 8 |
| Exhaust System Assembly | 10 |
| Cooling System Assembly..... | 12 |
| Engine and Pump to Skid Assembly | 14 |
| Engine Assembly - Left Side | 16 |
| Engine Assembly - Right Side | 18 |
| External Pump Assembly | 20 |
| Pump Air Compressor Assembly..... | 22 |
| Bearing Frame Assembly | 24 |
| Priming Chamber Assembly | 26 |
| Internal Pump Assembly..... | 28 |
| Lift Support Assembly..... | 30 |
| Fuel Tank / Trailer Assembly (3 of 3) | 32 |
| Fuel Tank / Trailer Assembly (2 of 3) | 34 |
| Fuel Tank / Trailer Assembly (1 of 3) | 36 |
| Trailer Hitch Options | 38 |
| Axle Assembly | 40 |
| Trailer Brake Lines | 42 |
| Recommended Spare Parts List..... | 44 |

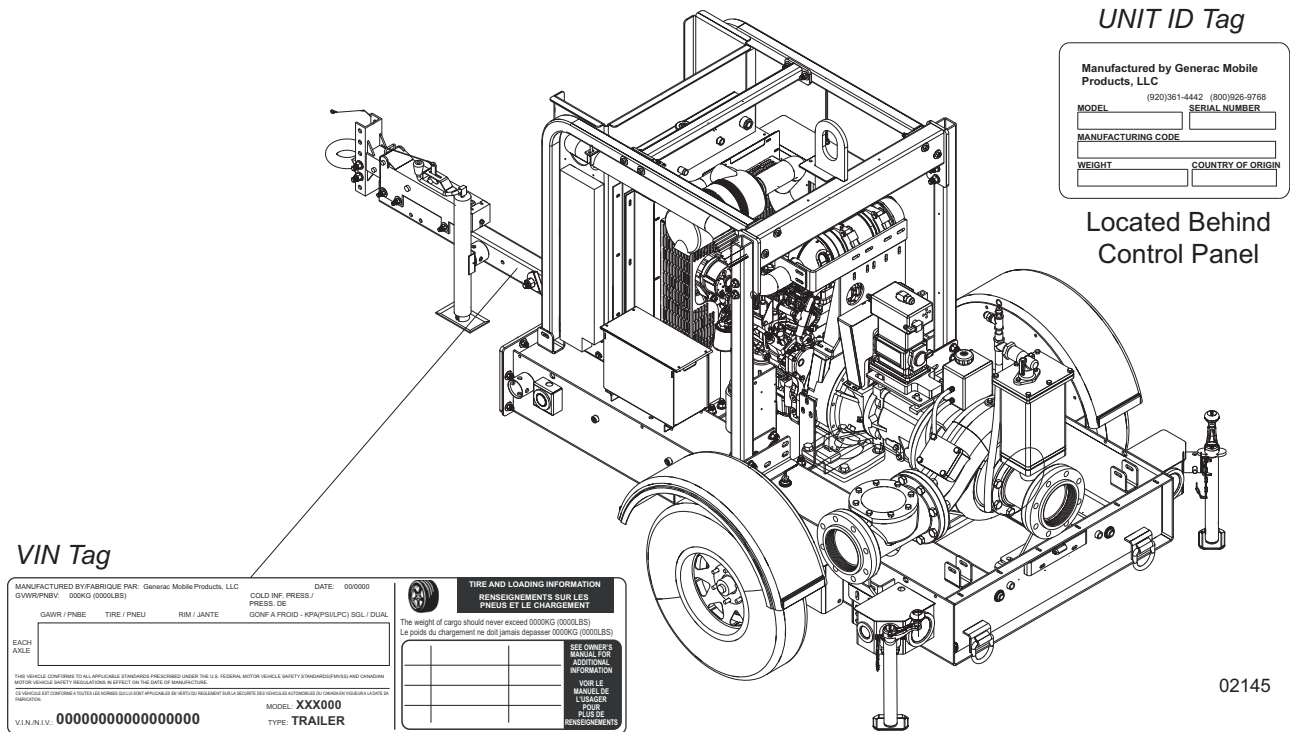
This Page Intentionally Left Blank

Parts Manual Instructions

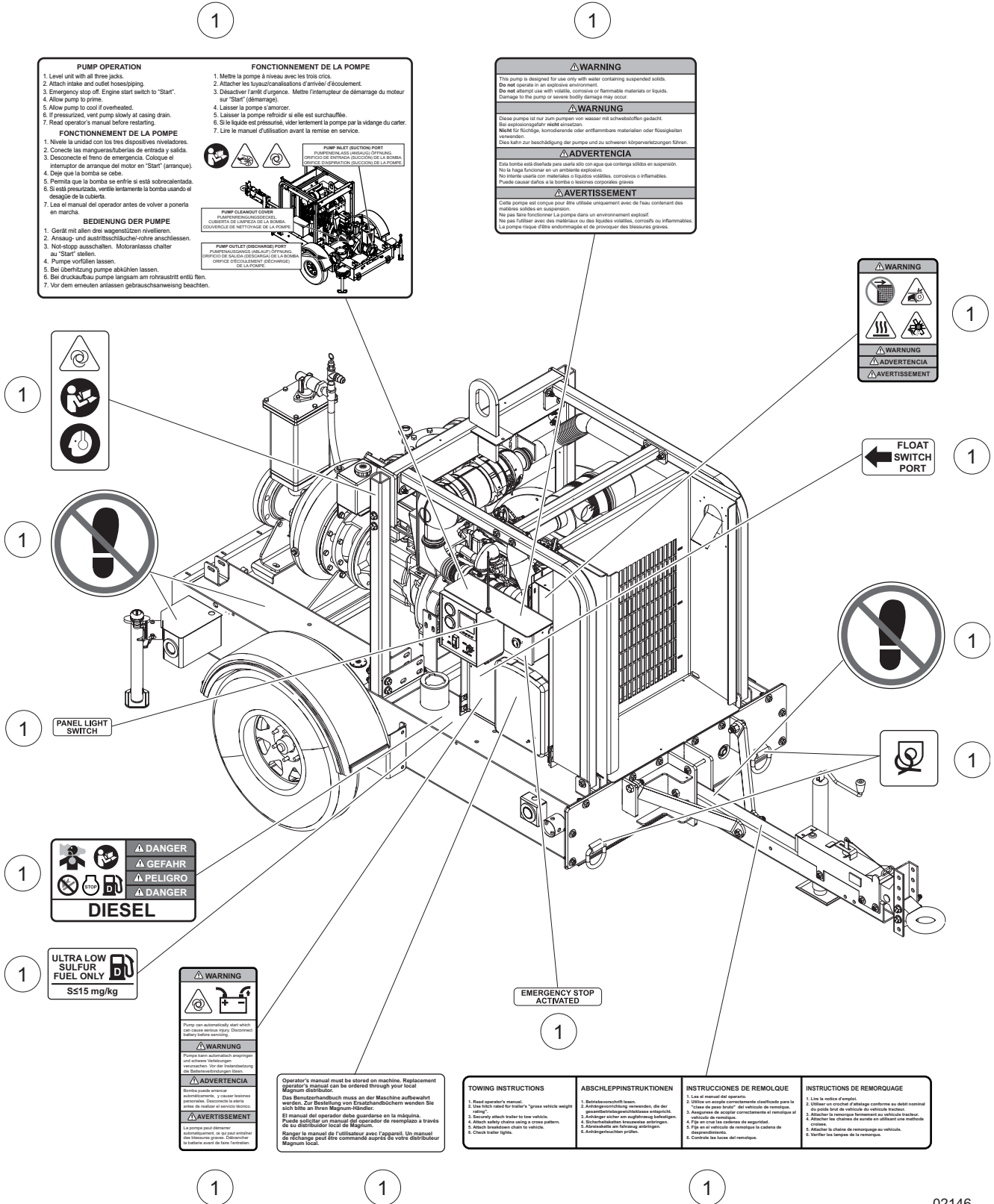
Product illustrations are only representations. Products supplied may vary from the illustrations in this parts manual. Parts not shown in the illustration are indicated by a double dash (--) in the item column.

Please be prepared to provide the following information when ordering replacement parts: model number, serial number (on unit serial tag), part number, purchase order number (if applicable), shipping address, shipping method.

Refer to the illustration below to locate the unit ID tag and Vehicle Identification Number (VIN) tag on the unit. Important information, such as the unit serial number, model number, VIN and tire loading information are found on these tags. Record the information from these tags so it is available if the tags are lost or damaged. When ordering parts or requesting assistance, you may be asked to provide this information.



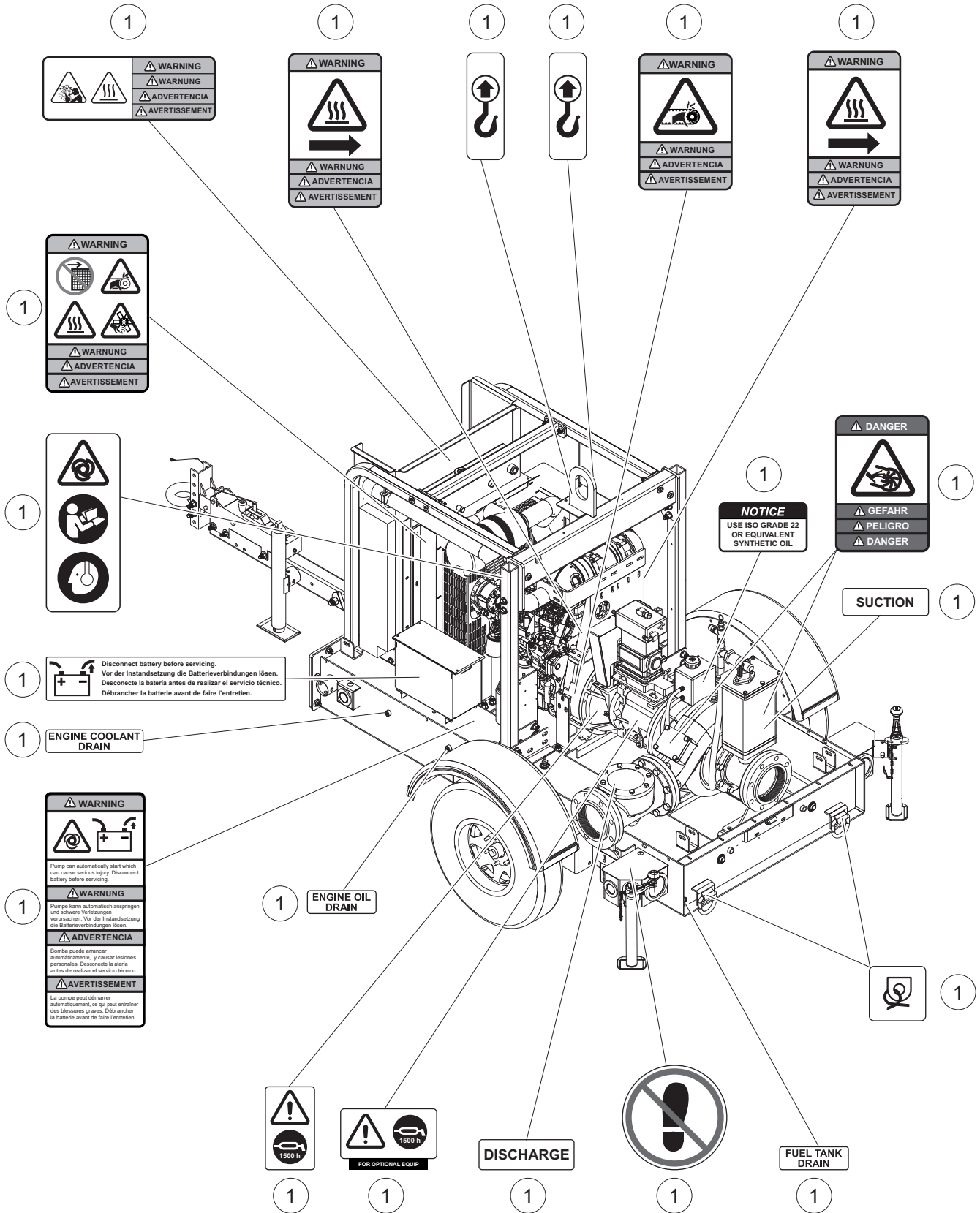
UNIT DECALS - LEFT SIDE



UNIT DECALS - LEFT SIDE

| Item | Part No. | Qty | Description | Notes |
|------|----------|-----|-------------------------------|-------|
| 1 | 54344 | 1 | Decal, safety/op 4-6 dry open | |

UNIT DECALS - RIGHT SIDE

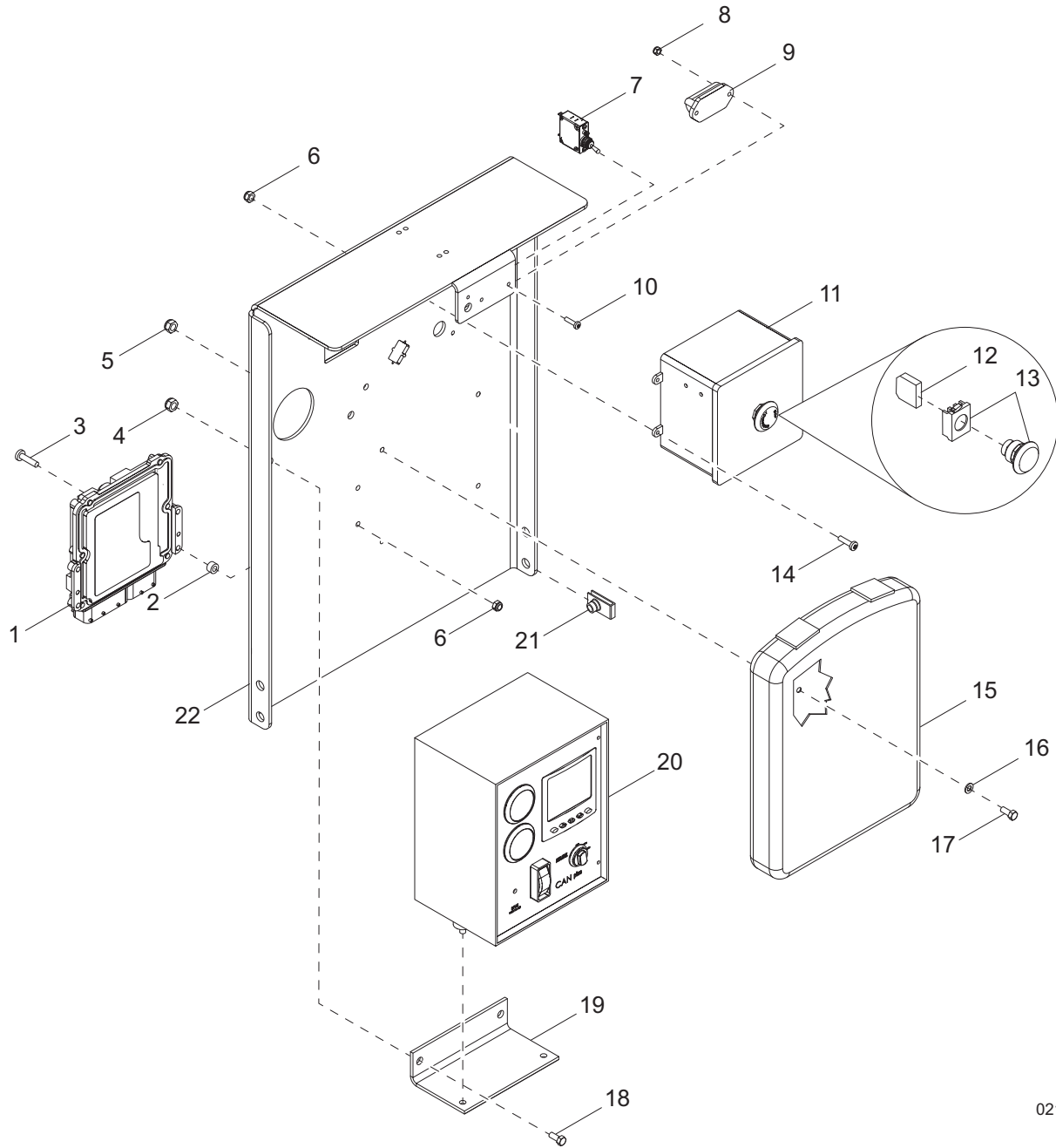


02147

UNIT DECALS - RIGHT SIDE

| Item | Part No. | Qty | Description | Notes |
|------|----------|-----|-------------------------------|-------|
| 1 | 54344 | 1 | Decal, safety/op 4-6 dry open | |

CONTROL PANEL ASSEMBLY



02153

CONTROL PANEL ASSEMBLY

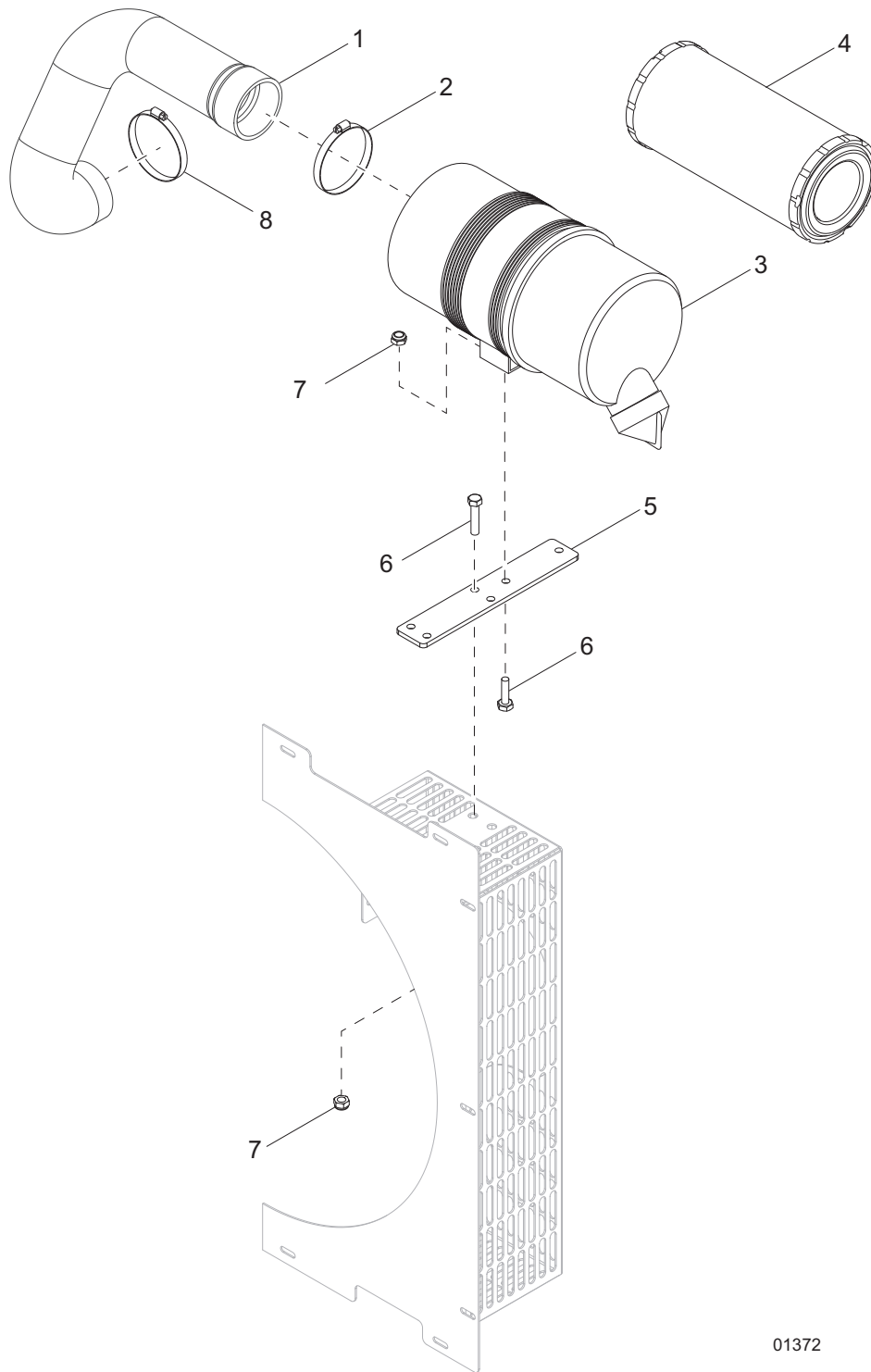
| Item | Part No. | Qty | Description | Notes |
|------|----------|-----|--|------------|
| 1 | 31509 | 1 | ECU, Duetz 2.9 | w/hardware |
| 2 | 66257 | 4 | Spacer, .20ID, .375OD, .25 thick | |
| 3 | 60397 | 4 | Screw, 10-32 x 1.0 pan phil, G2 | |
| 4 | 60358 | 2 | Nut, .375-16 nylock, G5 | |
| 5 | 60144 | 4 | Nut, .250-20 nylock, G5 | |
| 6 | 60061 | 4 | Nut, 10-32 nylock | |
| 7 | 36880 | 1 | Switch, light | |
| 8 | 60270 | 2 | Nut, 8-32 nylock, G6 | |
| 9 | 36879 | 1 | Light, license plate | |
| 10 | 60244 | 2 | Screw, 8-32 x .750 pan phil, G2 | |
| 11 | 54019 | 1 | Assembly, E-stop box | |
| 12 | 65584 | 1 | Block, E-stop contactor NO/NO | |
| 13 | 65470 | 1 | Switch, E-stop operator | |
| 14 | 60062 | 4 | Screw, 10-32 x .750 pan phil, G2 | |
| 15 | 24540 | 1 | Holder, manual | |
| 16 | 60243 | 4 | Washer, .250 flat, .735/.060 | |
| 17 | 60281 | 4 | Screw, .250-20 x .750 hex, G5 | |
| 18 | 60352 | 2 | Screw, .375-16 x 1.25 hex | |
| 19 | 53693B | 1 | Bracket, controller mounting | |
| 20 | 54305 | 1 | Assembly, control box w/controller - Lofa750 | w/hardware |
| 21 | 60727 | 4 | Nut, .375-16 U-clip, short type | |
| 22 | 31732B | 1 | Bracket, control box | |
| -- | 68304 | 1 | Harness, main | |
| -- | 49986 | 1 | Harness, float switch extension | |

OPTIONAL FEATURES

Float Switch - Lofa 750:

| | | | |
|----|-------|---|---------------------------------|
| -- | 41581 | 2 | Assembly, float switch |
| -- | 49607 | 1 | Adapter, harness - float switch |

AIR FILTER ASSEMBLY

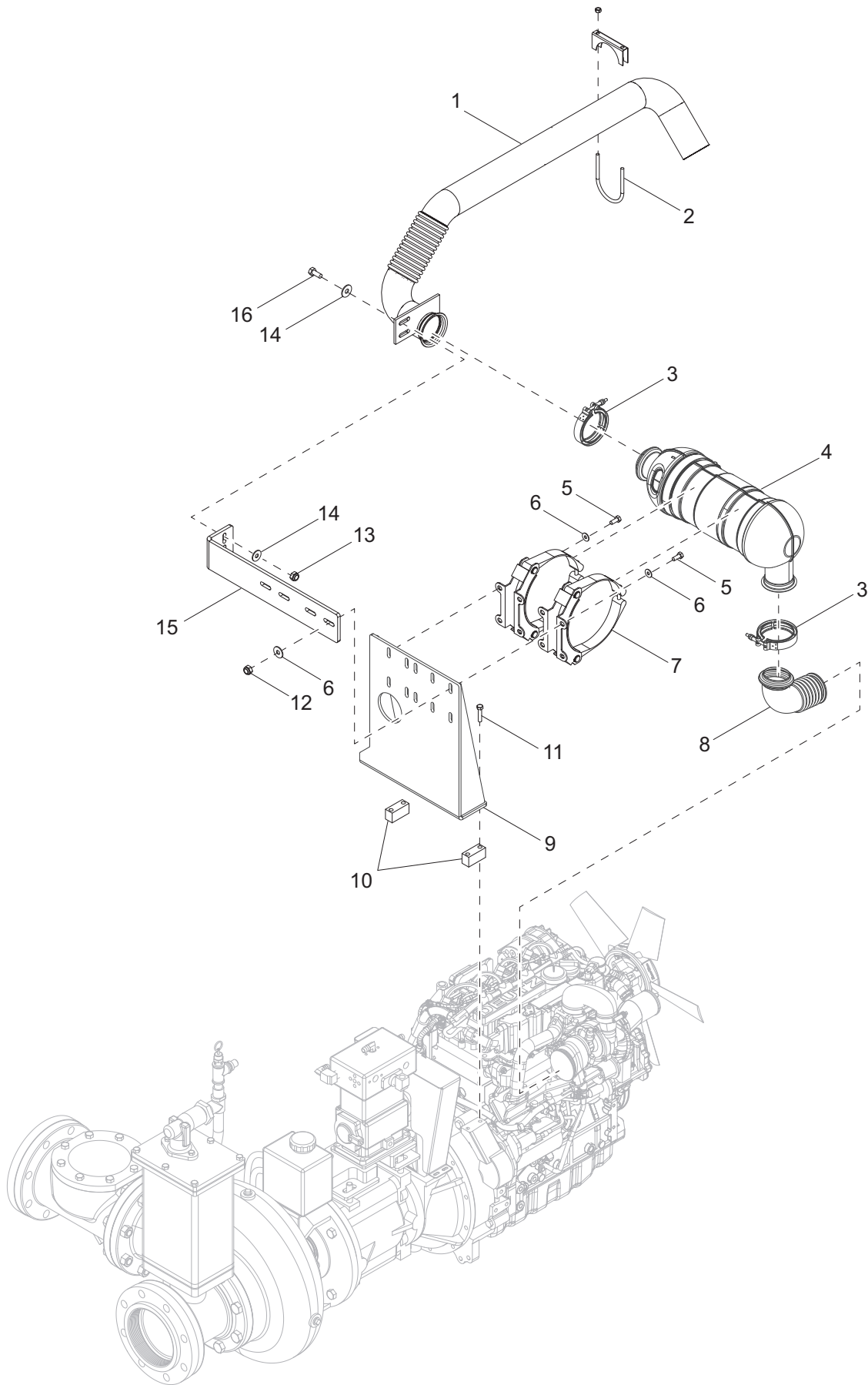


01372

AIR FILTER ASSEMBLY

| Item | Part No. | Qty | Description | Notes |
|------|----------|-----|-----------------------------------|-------|
| 1 | 31461 | 1 | Hose, air filter | |
| 2 | 19336 | 1 | Clamp, hose - SAE 044 (2.31-3.25) | |
| 3 | 22967 | 1 | Filter, air | |
| 4 | 22874 | 1 | Element, air filter | |
| 5 | 31462B | 1 | Bracket, air filter | |
| 6 | 60028 | 6 | Screw, .312-18 x 1.0 std hex, G5 | |
| 7 | 60303 | 6 | Nut, .312-18 nylock, G5 | |
| 8 | 18663 | 1 | Clamp, hose - SAE 060 (3.31-4.25) | |

EXHAUST SYSTEM ASSEMBLY

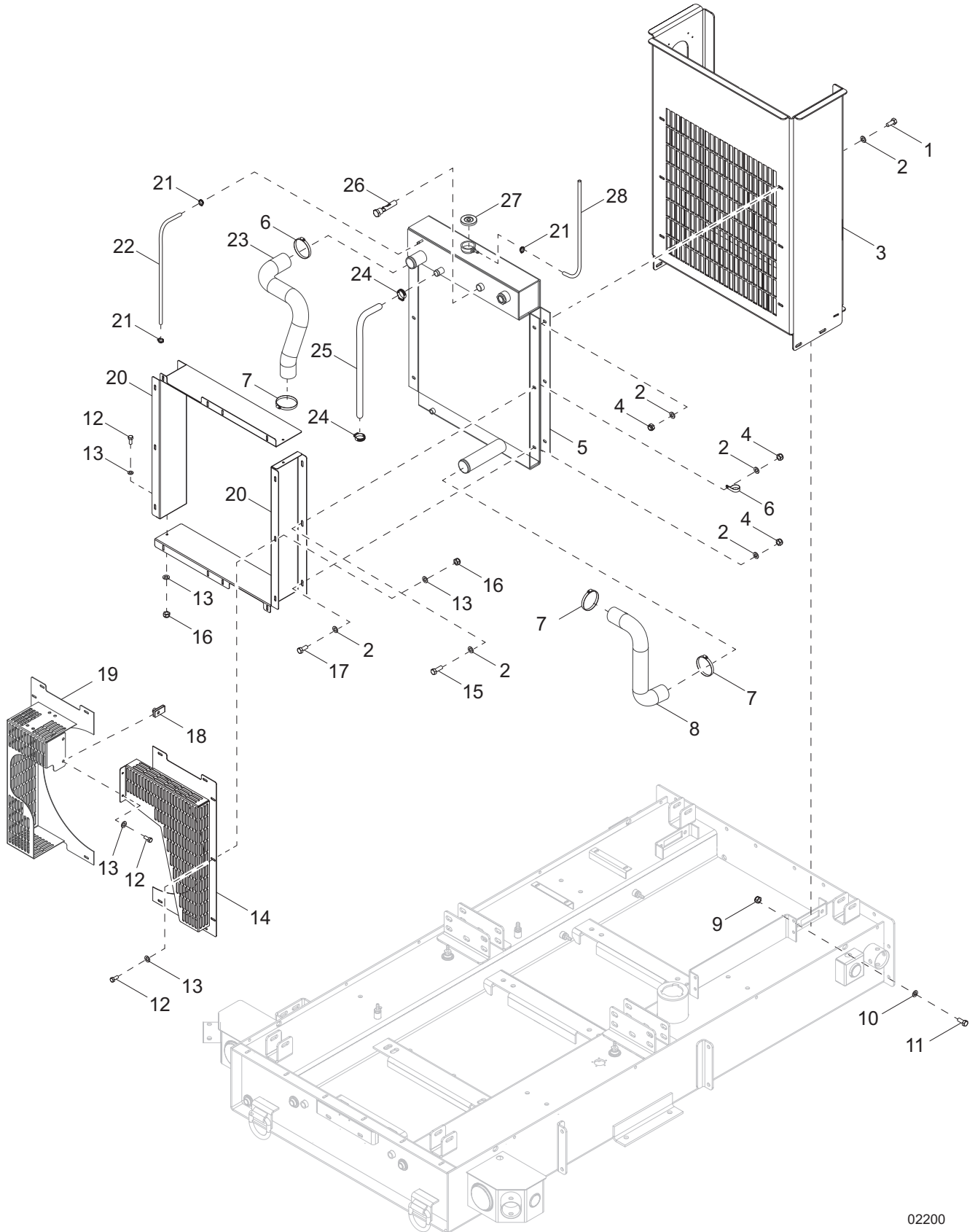


02154

EXHAUST SYSTEM ASSEMBLY

| Item | Part No. | Qty | Description | Notes |
|------|----------|-----|---|-------|
| 1 | 53042 | 1 | Weldment, exhaust pipe | |
| 2 | 61064 | 1 | Clamp, muffler 3.0 light duty | |
| 3 | 63248 | 2 | Clamp, V-band - 3.88 ID/.40 SC width | |
| 4 | 31449 | 1 | DOC, Deutz TD2.9 | |
| 5 | 60256 | 8 | Screw, .312-18 x 1.50 std hex, fully threaded, G5 | |
| 6 | 60119 | 16 | Washer, .312 flat .875/.070 | |
| 7 | 31450 | 2 | Clamp, DOC | |
| 8 | 31595 | 1 | Weldment, DOC pipe | |
| 9 | 31547B | 1 | Weldment, DOC support | |
| 10 | 31539B | 2 | Spacer | |
| 11 | 60152 | 4 | Screw, M10-1.50 x 60 std hex, G8.8 | |
| 12 | 60303 | 8 | Nut, .312-18 nylock, G2 | |
| 13 | 60358 | 2 | Nut, .375-16 nylock, G5 | |
| 14 | 60386 | 4 | Washer, .375 flat .993/.064 | |
| 15 | 31626B | 1 | Bracket, tail pipe support | |
| 16 | 60352 | 2 | Screw, .375-16 x 1.250 std hex, G5 | |
| -- | 26480 | 1 | Sleeve, high temp - 4.0 | |
| -- | 19336 | 2 | Clamp, hose - SAE44 (2.31-3.25) | |

COOLING SYSTEM ASSEMBLY

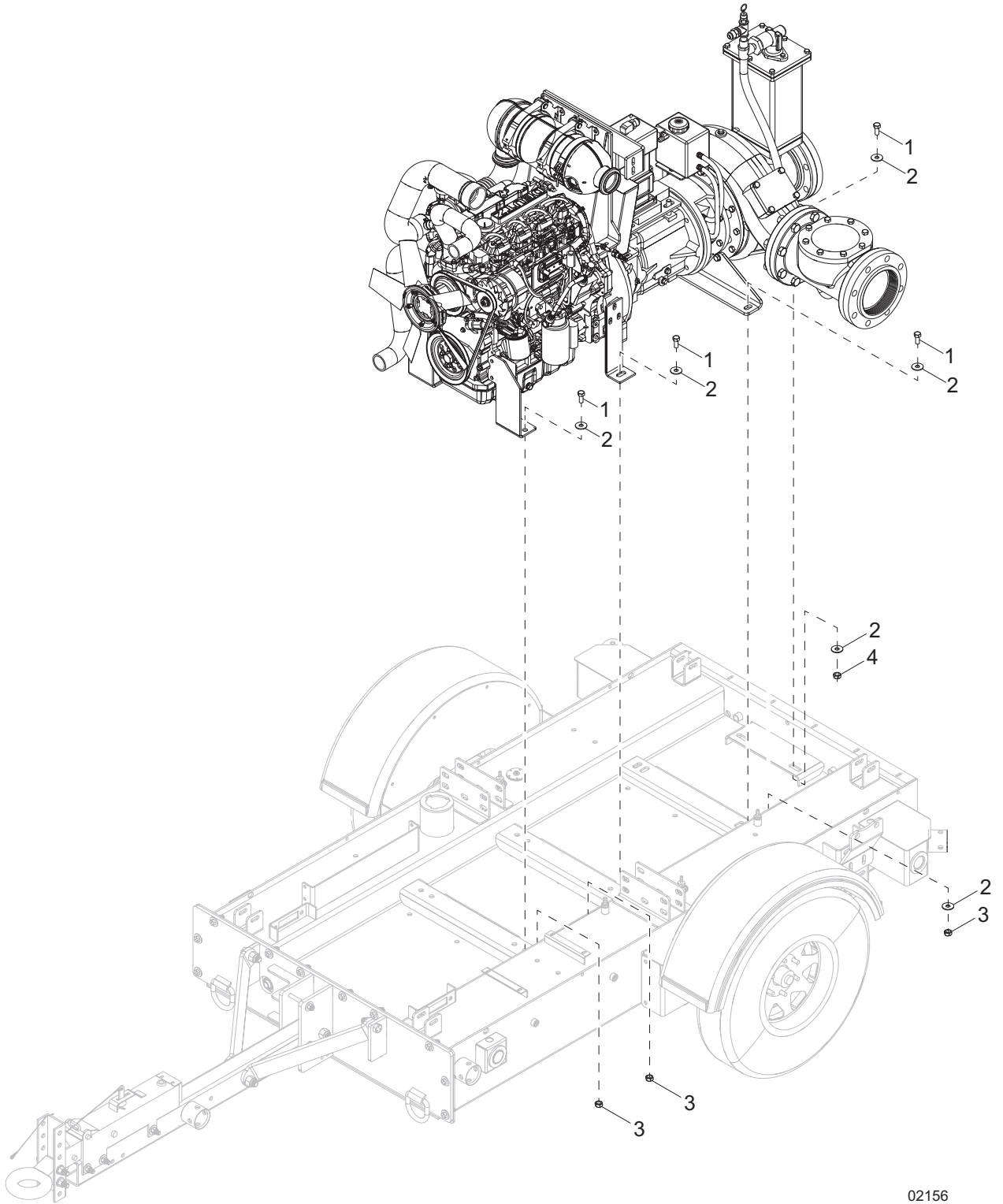


02200

COOLING SYSTEM ASSEMBLY

| Item | Part No. | Qty | Description | Notes |
|------|----------|------|--|-------|
| 1 | 62001 | 6 | Screw, .312-18 x 1.250 std hex, G5 | |
| 2 | 60119 | 24 | Washer, .312 flat .875/.070 | |
| 3 | 31675B | 1 | Bracket, radiator support | |
| 4 | 60303 | 12 | Nut, .312-18 nylock, G2 | |
| 5 | 38321 | 1 | Radiator, w/expansion tank | |
| 6 | 15627 | 1 | Clamp, tubing - .625 heavy duty | |
| 7 | 60316 | 4 | Clamp, hose - SAE 032 (1.56-2.50) | |
| 8 | 31440 | 1 | Hose, radiator - lower | |
| 9 | 60358 | 4 | Nut, .375-16 nylock, G5 | |
| 10 | 60386 | 4 | Washer, .375 flat .993/.064 | |
| 11 | 60352 | 8 | Screw, .375-16 x 1.250 std hex, G5 | |
| 12 | 60281 | 18 | Screw, .250-20 x .750 std hex, G5 | |
| 13 | 60243 | 34 | Washer, .250 flat .735/.060 | |
| 14 | 31582B | 1 | Weldment, fan guard - right | |
| 15 | 60028 | 1 | Screw, .312-18 x 1.00 std hex, G5 | |
| 16 | 60144 | 16 | Nut, .250-20 nylock, G5 | |
| 17 | 61061 | 5 | Screw, .312-18 x .875 std hex, G5 | |
| 18 | 61143 | 2 | Nut, .250-20 U-clip - short type | |
| 19 | 31581B | 1 | Weldment, fan guard - left | |
| 20 | 31561B | 2 | Shroud, fan | |
| 21 | 14216 | 3 | Clamp, hose - SAE 004 (.21-.62) mini | |
| 22 | 50017 | 1 ft | Hose, fuel - .250 ID, 50 psi, SAE 30R7 | |
| 23 | 31439 | 1 | Hose, radiator - upper | |
| 24 | 19338 | 2 | Clamp, hose - SAE 016 (.68-1.50) | |
| 25 | 51019 | 2 ft | Hose, heater .875 J20R3 | |
| 26 | 68206 | 1 | Sensor, low coolant, wet sinking | |
| 27 | 39850 | 1 | Cap, radiator | |
| 28 | 50018 | 3 ft | Hose, fuel - .312 ID, 50 psi, SAE 30R7 | |

ENGINE AND PUMP TO SKID ASSEMBLY

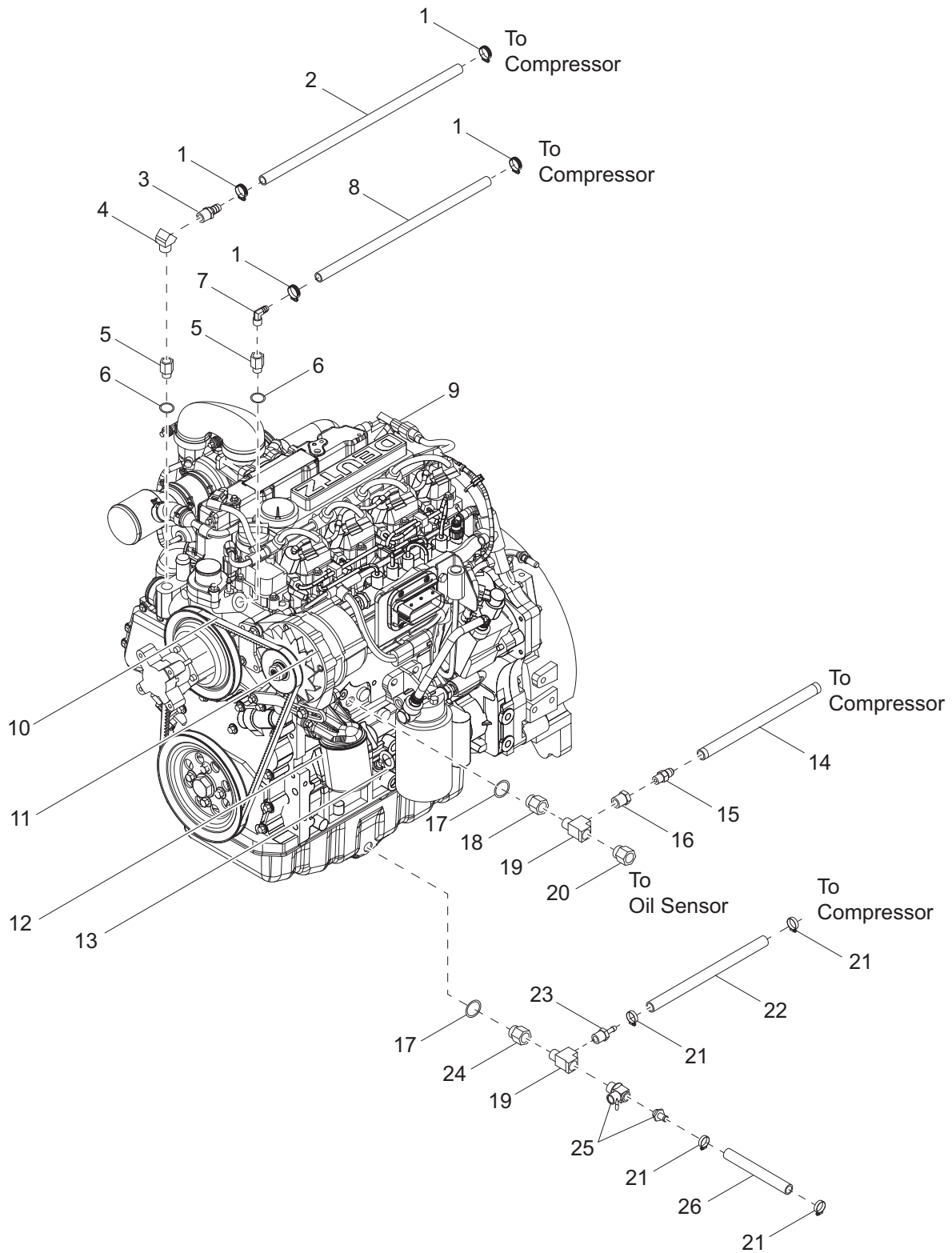


02156

ENGINE AND PUMP TO SKID ASSEMBLY

| Item | Part No. | Qty | Description | Notes |
|------|----------|-----|-----------------------------------|-------|
| 1 | 61069 | 8 | Screw, .500-13 x 1.50 std hex, G5 | |
| 2 | 63265 | 12 | Washer, .500 flat 1.060/.090 | |
| 3 | 60240 | 8 | Nut, .625-11 nylock, G5 | |

ENGINE ASSEMBLY - LEFT SIDE



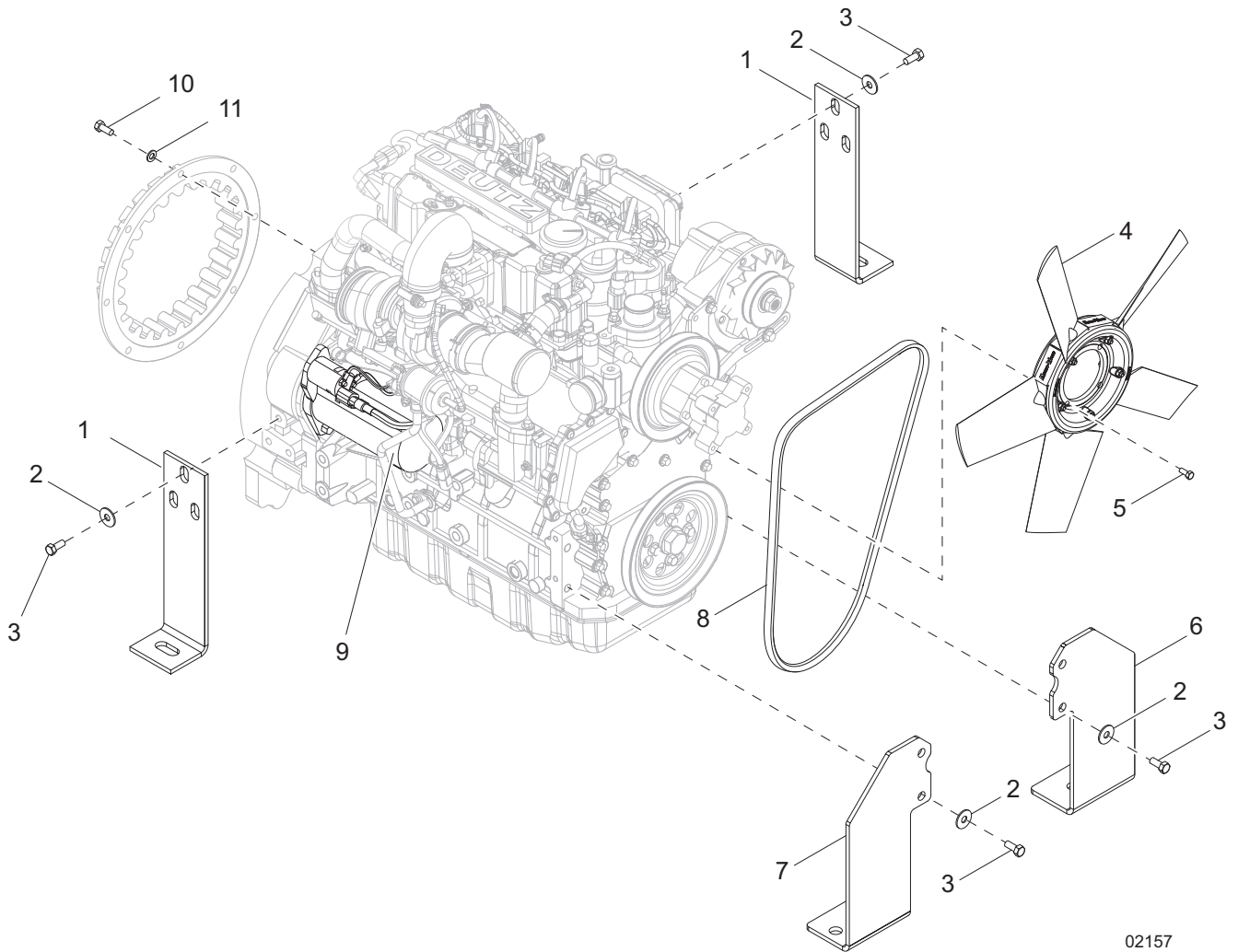
02182

ENGINE ASSEMBLY - LEFT SIDE

| Item | Part No. | Qty | Description | Notes |
|------|----------|---------|--|-------|
| 1 | 60365 | 4 | Clamp, hose - SAE 010 (.56-1.06) | |
| 2 | 50201 | 2.66 ft | Hose, .625 in., 200 psi, class A | |
| 3 | 60502 | 1 | Fitting, str - .500MNPT x .625 barb, brass | |
| 4 | 61040 | 1 | Fitting, 45° - .500MNPT x .500FNPT brass | |
| 5 | 19307 | 2 | Fitting, str - .500FNPT x M22 x 1.50 | |
| 6 | 19467 | 2 | Seal, M22 | |
| 7 | 61014 | 1 | Fitting, 90° - .500MNPT x .625 barb, brass | |
| 8 | 50201 | 3 ft | Hose, .625 in., 200 psi, class A | |
| 9 | 31381 | 1 | Engine, Deutz TD2.9 - T4F 66hp, variable speed | |
| 10 | 52213 | 1 | Belt, fan | |
| 11 | 52214 | 1 | Alternator | |
| 12 | 52212 | 1 | Filter, oil | |
| 13 | 52215 | 1 | Dipstick, oil | |
| 14 | 41420 | 1 | Hose, oil supply .250 ID x 50.0, 300 psi - .25FJIC | |
| 15 | 61073 | 1 | Fitting, str - .125 MNPT x .250MJIC brass | |
| 16 | 22603 | 1 | Fitting, str - .375MNPT x .125FNPT brass | |
| 17 | 63223 | 2 | Seal, M16 | |
| 18 | 33146 | 1 | Fitting, str - .375FNPT x M16-1.5 male | |
| 19 | 22602 | 2 | Fitting, T - .375MNPT x FNPT x FNPT brass | |
| 20 | 31618 | 1 | Fitting, str - .375MNPT x M16-1.5 female | |
| 21 | 14216 | 5 | Clamp, hose - SAE 004 (.21-.62) mini | |
| 22 | 50051 | 3.75 ft | Hose, fuel - .375 ID, 50 psi, SAE 30R7 | |
| 23 | 25082 | 1 | Fitting, str - .375MNPT x .375 barb | |
| 24 | 61033 | 1 | Fitting, str - .375FNPT x M18 x 1.50 O-ring | |
| 25 | 37619 | 1 | Valve, drain .375-18NPT | |
| 26 | 50051 | .70 ft | Hose, fuel - .375 ID, 50 psi, SAE 30R7 | |

Note: Engine and pump parts used in all Generac Mobile Products, LLC equipment carry the Original Equipment Manufacturer (OEM) warranty unless otherwise stated. OEM warranty parts must be purchased through an OEM dealer. Please contact Generac Mobile Products, LLC with questions.

ENGINE ASSEMBLY - RIGHT SIDE



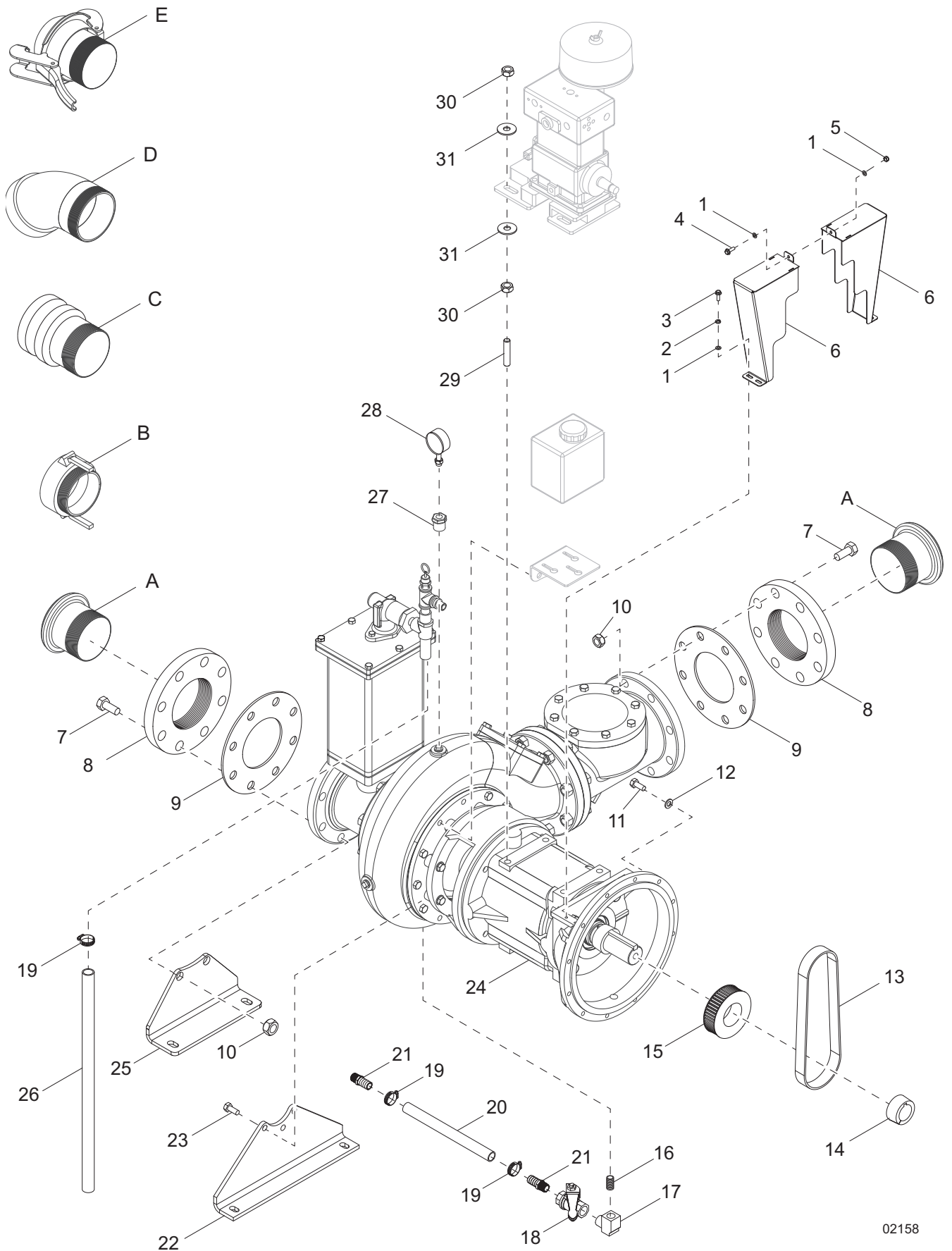
02157

ENGINE ASSEMBLY - RIGHT SIDE

| Item | Part No. | Qty | Description | Notes |
|------|----------|-----|--------------------------------------|-------|
| 1 | 31674B | 2 | Bracket, engine mount - bell housing | |
| 2 | 60012 | 10 | Washer, M12 flat | |
| 3 | 62277 | 10 | Screw, M12-1.75 x 25 std hex, G10.9 | |
| 4 | 31410 | 1 | Fan, pusher - 20.0 CW | |
| 5 | 61204 | 4 | Screw, M8-1.25 x 20 std hex, G10.9 | |
| 6 | 31667B | 1 | Weldment, engine mount, left | |
| 7 | 31668B | 1 | Weldment, engine mount, right | |
| 8 | 52213 | 1 | Belt, fan | |
| 9 | 52219 | 1 | Starter | |
| 10 | 63338 | 8 | Screw, M10 - 1.50 x 20 hex, G10.9 | |
| 11 | 60027 | 8 | Washer, M10 flat | |

Note: Engine and pump parts used in all Generac Mobile Products, LLC equipment carry the Original Equipment Manufacturer (OEM) warranty unless otherwise stated. OEM warranty parts must be purchased through an OEM dealer. Please contact Generac Mobile Products, LLC with questions

EXTERNAL PUMP ASSEMBLY



02158

EXTERNAL PUMP ASSEMBLY

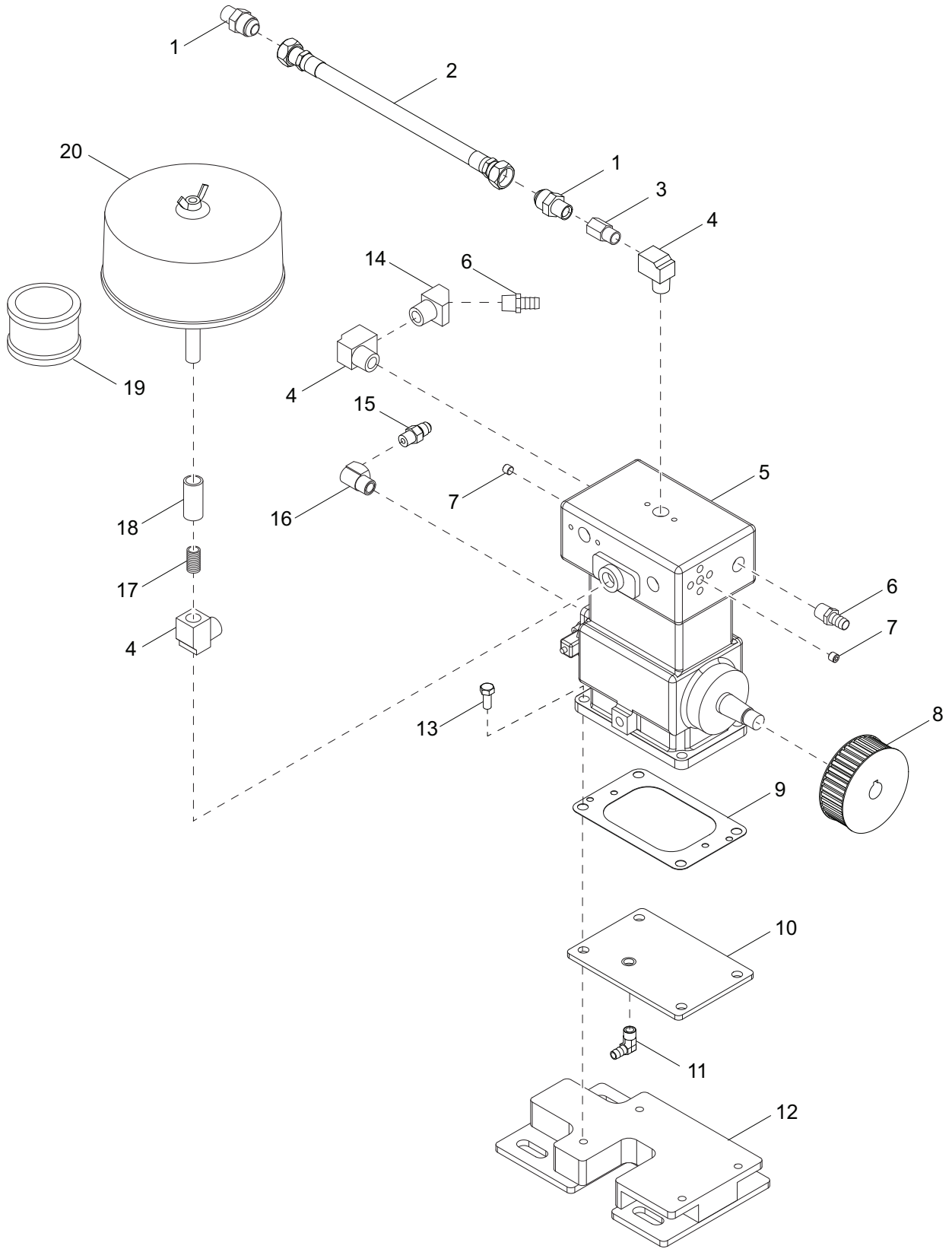
| Item | Part No. | Qty | Description | Notes |
|------|----------|---------|--|-------|
| 1 | 60243 | 6 | Washer, .250 flat .735/.060 | |
| 2 | 60286 | 4 | Washer, .250 split lock | |
| 3 | 60175 | 4 | Screw, .250-20 x .500 sflg hex, G5 | |
| 4 | 60523 | 1 | Screw, .250-20 x .875 sflg hex | |
| 5 | 60144 | 1 | Nut, .250-20 nylock, G5 | |
| 6 | 31608B | 2 | Guard, belt | |
| 7 | 61076 | 16 | Screw, .750-10 x 3.0 std hex, G5 | |
| 8 | 41306B | 2 | Flange, 6.0NPT female - ANSI 150 lb | |
| 9 | 41061 | 2 | Gasket, pump flange - 6.0 | |
| 10 | 61077 | 16 | Nut, .750-10 jam, G2 thin | |
| 11 | 60055 | 12 | Screw, M10-1.50 x 35 std hex, G10.9 | |
| 12 | 60027 | 12 | Washer, M10 flat | |
| 13 | 31432 | 1 | Belt, compressor | |
| 14 | 31469 | 1 | Bushing, taper lock - 2012 x 2.0 bore | |
| 15 | 30498 | 1 | Pulley, driver - 48 tooth | |
| 16 | 60438 | 1 | Fitting, pipe nipple - .500NPT x close | |
| 17 | 60998 | 1 | Fitting, 90° - .500MNPT x .500FNPT brass | |
| 18 | 19279 | 1 | Valve, ball .500FNPT, mini | |
| 19 | 60365 | 2 | Clamp, hose - SAE 010 (.56-1.06) | |
| 20 | 42634 | 2.0 ft | Hose, .750ID - rubber | |
| 21 | 60437 | 2 | Fitting, strt - .500NPT x .750 barb, brass | |
| 22 | 61677B | 1 | Bracket, pump support | |
| 23 | 63186 | 3 | Screw, .500-13 x 1.250 std hex, G5 | |
| 24 | 30281B | 1 | Pump, trash - 6.0 dry prime, 10 dia | |
| 25 | 31678B | 1 | Bracket, pump inlet | |
| 26 | 50332 | 4.33 ft | Hose, fuel - .750 ID, 35 psi, SAE 30R7 | |
| 27 | 19401 | 1 | Fitting, Strt - .500MNPT x .250FNPT | |
| 28 | 49420 | 1 | Gauge, vacuum 0-30 HG, 2.50 dial, .25NPT | |
| 29 | 31636 | 4 | Stud, .625-11 x 4.0 fully threaded, G5 | |
| 30 | 61071 | 8 | Nut, .625-11 jam, thin, G5 | |
| 31 | 60521 | 8 | Washer, .625 flat 1.743/.108 | |

OPTIONAL FEATURES

Inlet and Outlet Fittings:

| | | | |
|---|--------|---|---|
| A | 41327 | 2 | Socket, 6.0 x 6.0MNTP |
| B | 41329 | 1 | Coupler, cam and groove - 6.0FNPT x 6.0MNPT |
| C | 41587 | 1 | Coupler, cam and groove - 6.0 male x 6.0NPT |
| D | 41556B | 1 | Weldment, pump fitting - 6.0NPT, 45° |
| E | 41325 | 1 | Ring, ball and lock, 6.0 x 6.0MNTP |

PUMP AIR COMPRESSOR ASSEMBLY

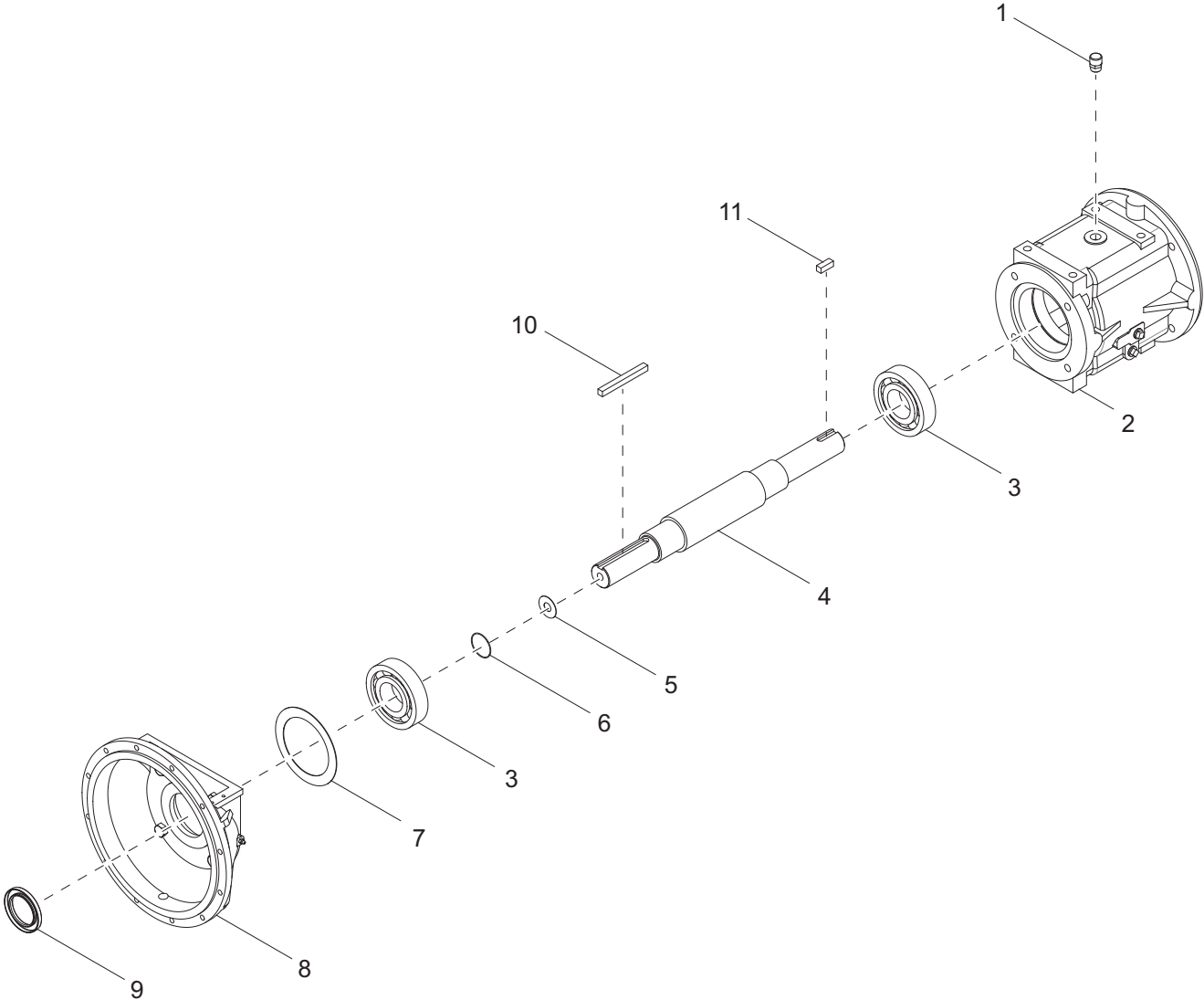


01336

PUMP AIR COMPRESSOR ASSEMBLY

| Item | Part No. | Qty | Description | Notes |
|------|----------|-----|---|-------|
| 1 | 63181 | 2 | Fitting, strt - .500MNPT x .750, 37° JIC | |
| 2 | 32105 | 1 | Assembly, hose .750 braided x 18.0 in | |
| 3 | 31657 | 1 | Valve, check | |
| 4 | 60998 | 3 | Fitting, 90° - .500MNPT x .500FNPT brass | |
| 5 | 49267 | 1 | Compressor, air - Bendix | |
| 6 | 60502 | 2 | Fitting, strt - .500MNPT x .625 barb, brass | |
| 7 | 63115 | 2 | Fitting, plug - .125NPT x flush mount | |
| 8 | 30497 | 1 | Pulley, driven - 40 tooth | |
| 9 | 49421 | 1 | Gasket, compressor base | |
| 10 | 32703B | 1 | Bracket, compressor base | |
| 11 | 20645 | 1 | Fitting, 90° - .250NPT x .375 barb, brass | |
| 12 | 31445B | 1 | Weldment, compressor mount | |
| 13 | 63283 | 4 | Screw, .438-14 x 1.50 std hex, G5 | |
| 14 | 61040 | 1 | Fitting, 45° - .500MNPT x .500FNPT, brass | |
| 15 | 61073 | 1 | Fitting, strt - .125MNPT x .250MJIC brass | |
| 16 | 60734 | 1 | Fitting, 90° - .125MNPT x .125FNPT brass | |
| 17 | 60438 | 1 | Fitting, pipe nipple - .500NPT x close | |
| 18 | 21437 | 1 | Fitting, strt - .500NPT coupler x 1.50 | |
| 19 | 31631 | 1 | Element, air cleaner | |
| 20 | 31630 | 1 | Air cleaner - .500NPT | |

BEARING FRAME ASSEMBLY

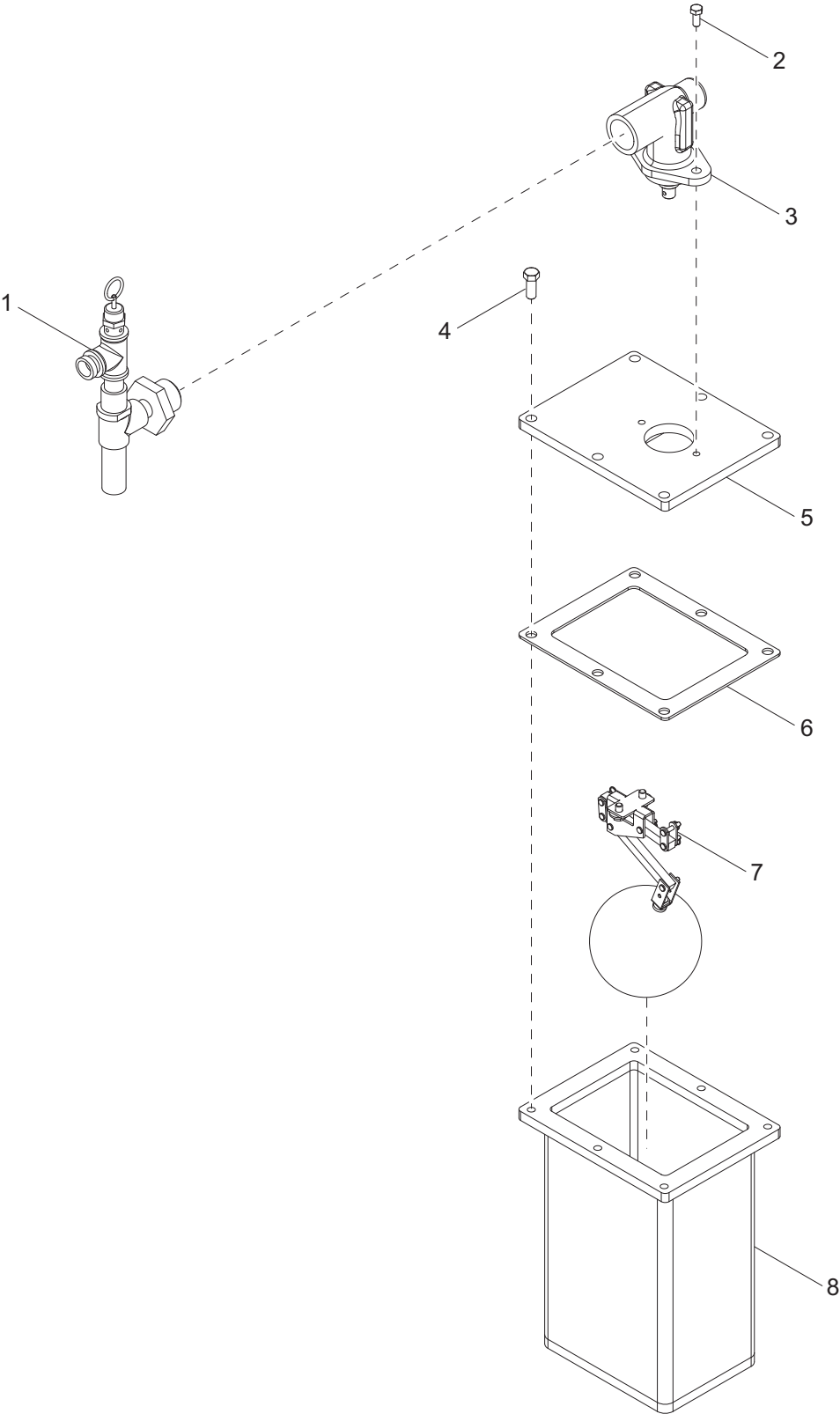


01381

BEARING FRAME ASSEMBLY

| Item | Part No. | Qty | Description | Notes |
|------|----------|-----|----------------------------|-----------|
| 1 | 52034 | 1 | Breather, .500NPT | |
| 2 | 52130 | 1 | Frame, pump | |
| 3 | 52134 | 2 | Bearing, 16B | |
| 4 | 52133 | 1 | Shaft, 6NNT | |
| 5 | 52118 | 1 | Shim, .005 | |
| 6 | 52124 | 1 | O-ring, 2.00 x 2.19 x .090 | |
| 7 | 52142 | 1 | Shim, .005 | as needed |
| -- | 52041 | 1 | Shim, .010 | as needed |
| 8 | 52043 | 1 | Bracket, engine | |
| 9 | 52139 | 1 | Seal, lip | |
| 10 | 52146 | 1 | Key, drive end .500 x 4.00 | |
| 11 | 52117 | 1 | Key, impeller .500 x 1.38 | |

PRIMING CHAMBER ASSEMBLY

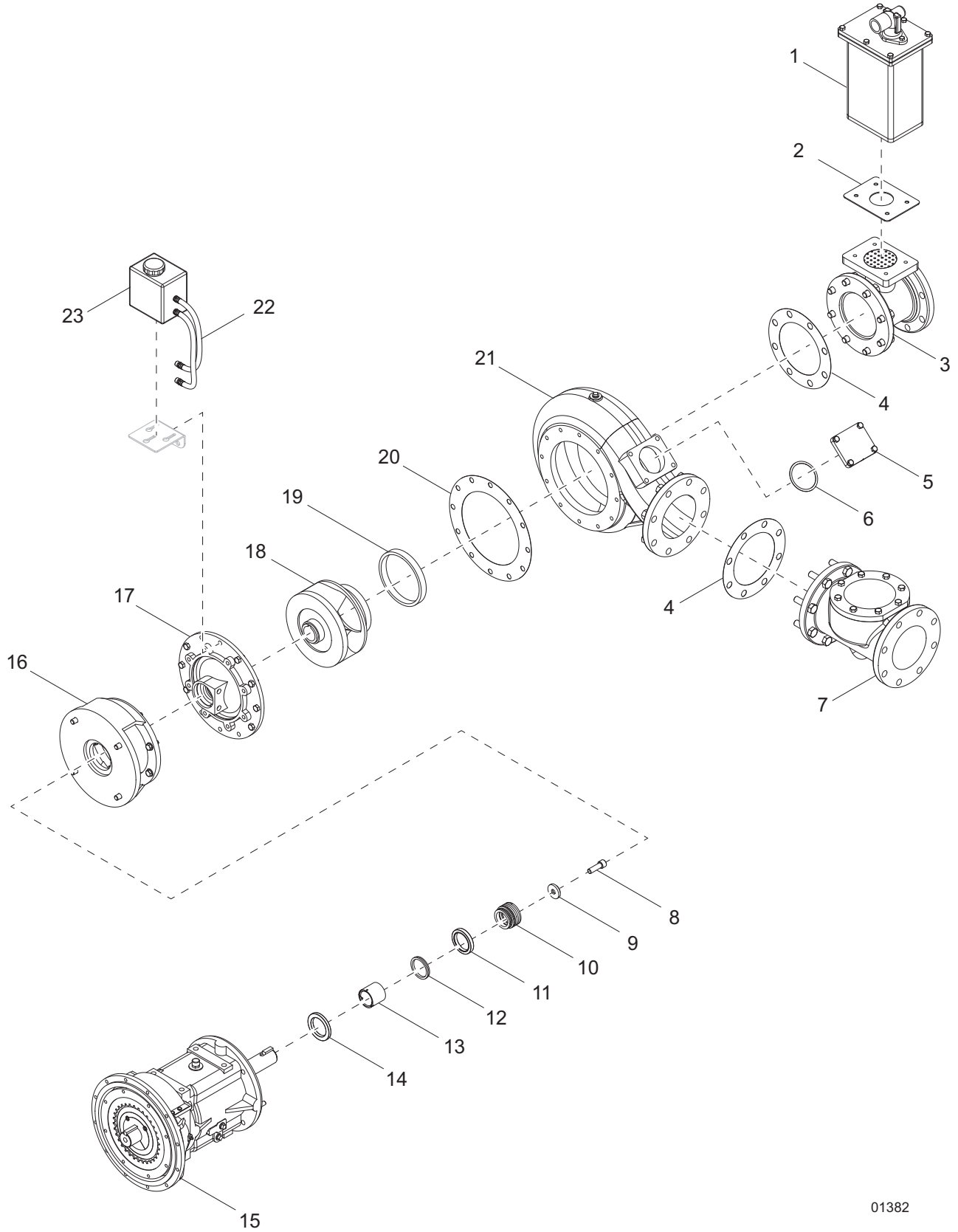


01339

PRIMING CHAMBER ASSEMBLY

| Item | Part No. | Qty | Description | Notes |
|------|----------|-----|---------------------------------|-------|
| 1 | 52195 | 1 | Fitting, priming | |
| 2 | 52167 | 2 | Capscrew, hex .31NC x .50 | |
| 3 | 31656 | 1 | Valve, priming chamber | |
| 4 | 52178 | 6 | Screw, .440 x 1.25 std hex, SS | |
| 5 | 52163 | 1 | Cover, priming chamber | |
| 6 | 52177 | 1 | Gasket, priming chamber - upper | |
| 7 | 52165 | 1 | Assembly, float linkage | |
| 8 | 52180B | 1 | Priming chamber | |
| -- | 52162 | 1 | Assembly, priming chamber | |

INTERNAL PUMP ASSEMBLY

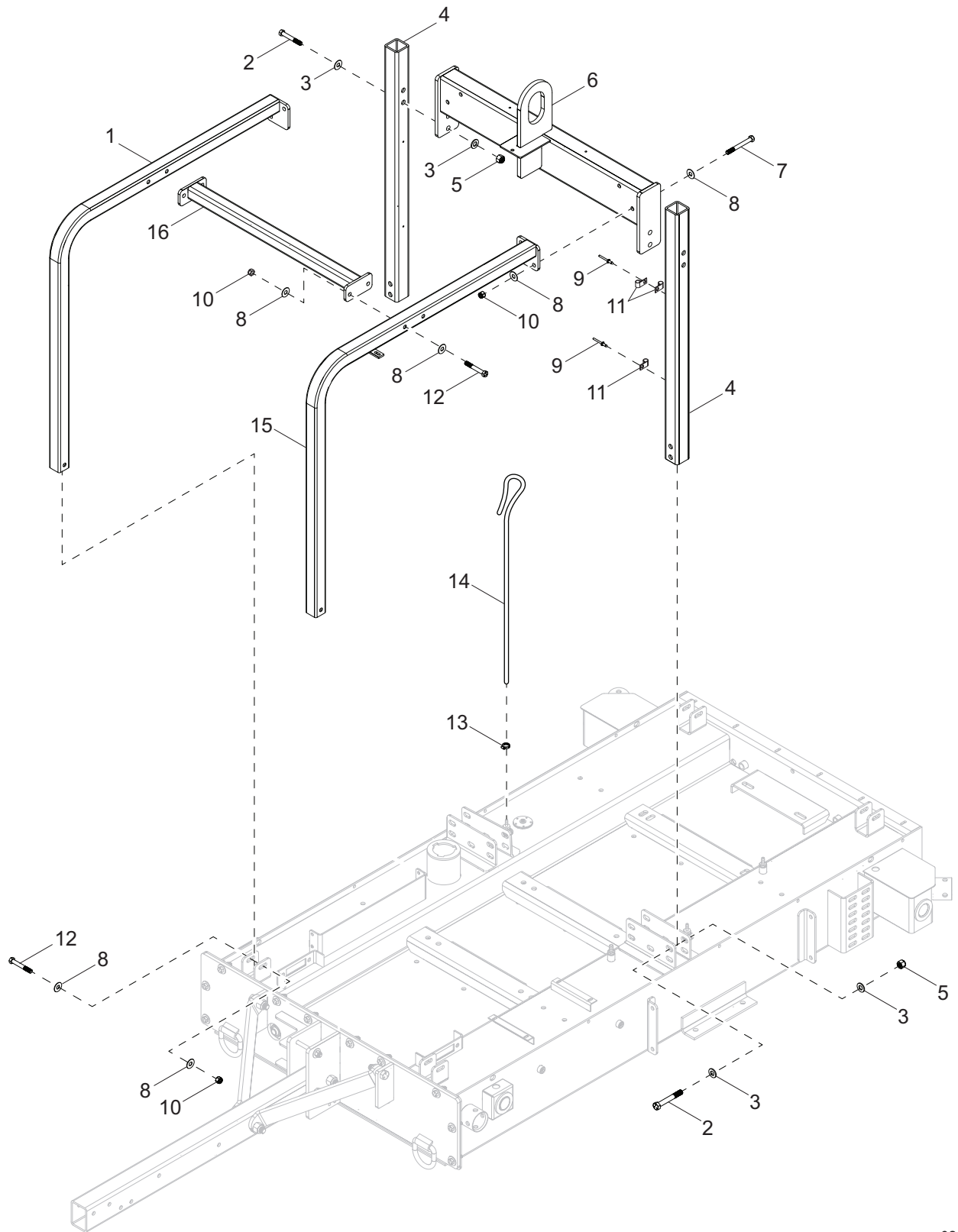


01382

INTERNAL PUMP ASSEMBLY

| Item | Part No. | Qty | Description | Notes |
|------|-------------------------|-----|--------------------------------------|-------|
| 1 | Page 26 | 1 | Assembly, priming chamber | |
| 2 | 52077 | 1 | Gasket, priming chamber - lower | |
| 3 | 52196 | 1 | Spool, 6.0 x 6.0 fabricated | |
| 4 | 52197 | 2 | Gasket, 6.0 in - full face | |
| 5 | 52111 | 1 | Cover, clean out | |
| 6 | 52018 | 1 | Deflector | |
| 7 | 52199 | 1 | Valve, 6.0 x 6.0 | |
| 8 | 52116 | 1 | Lock screw, .62NC x 2.0, socket head | |
| 9 | 52115 | 1 | Washer, impeller | |
| 10 | 52126 | 1 | Seal, 2002S RP | |
| 11 | 52127 | 1 | Seal, lip - 2.50 x 3.375 | |
| 12 | 52128 | 1 | V-ring | |
| 13 | 52123 | 1 | Sleeve, 2.50 x 2.0 x 2.25 chrome | |
| 14 | 52139 | 1 | Seal, lip | |
| 15 | Page 24 | 1 | Assembly, bearing frame | |
| 16 | 52135 | 1 | Bracket, 8B4 | |
| 17 | 52119 | 1 | Backplate | |
| 18 | 52114 | 1 | Impeller, 6NNT - 1.94 in blind bore | |
| 19 | 52107 | 1 | Ring, wear 7.50 x 6.75 x .88 open | |
| 20 | 52109 | 1 | Gasket, volute | |
| 21 | 52108 | 1 | Volute, 6NNT w/clean out | |
| 22 | 52159 | 2 | Hose, .38 ID | |
| 23 | 52049 | 1 | Reservoir, w/cap - run-dry | |

LIFT SUPPORT ASSEMBLY

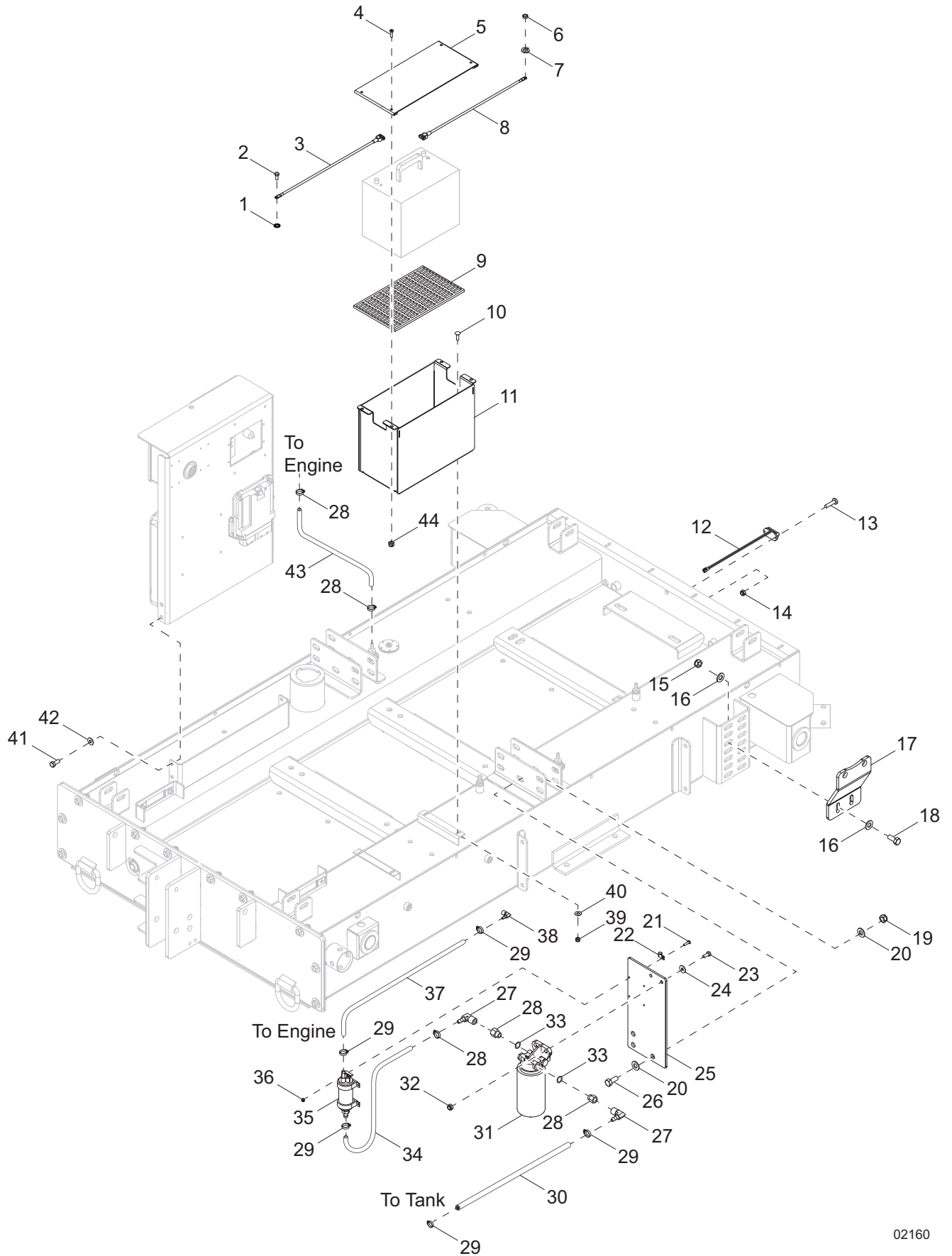


02159

LIFT SUPPORT ASSEMBLY

| Item | Part No. | Qty | Description | Notes |
|------|----------|---------|--------------------------------------|-------|
| 1 | 31688B | 1 | Weldment, radiator guard RH | |
| 2 | 42775 | 8 | Screw, .625-11 x 4.50 hex, G5 | |
| 3 | 63265 | 16 | Washer, .625 flat 1.312/.07-.13 | |
| 4 | 31682B | 2 | Tube, lift | |
| 5 | 60240 | 4 | Nut, .625-11 nylock, G5 | |
| 6 | 31686B | 1 | Weldment, lift support | |
| 7 | 60376 | 4 | Screw, .500-13 x 4.50 hex, G5 | |
| 8 | 60309 | 20 | Washer, .500 flat 1.060/.090 | |
| 9 | 60195 | 4 | Rivet, .188 dia. x .375 to .500 grip | |
| 10 | 62221 | 10 | Nut, .500-13 nylock, G5 | |
| 11 | 15627 | 6 | Clamp, tubing - .625 heavy duty | |
| 12 | 60390 | 6 | Screw, .500-13 x 3.50 hex, G5 | |
| 13 | 14216 | 2 | Clamp, hose - SAE 004 (.21-.62) mini | |
| 14 | 50343 | 3.16 ft | Hose, .312ID x .562OD, 60PSI | |
| 15 | 36322B | 1 | Weldment, radiator guard LH | |
| 16 | 31690B | 1 | Weldment, radiator guard, front | |

FUEL TANK / TRAILER ASSEMBLY (3 OF 3)

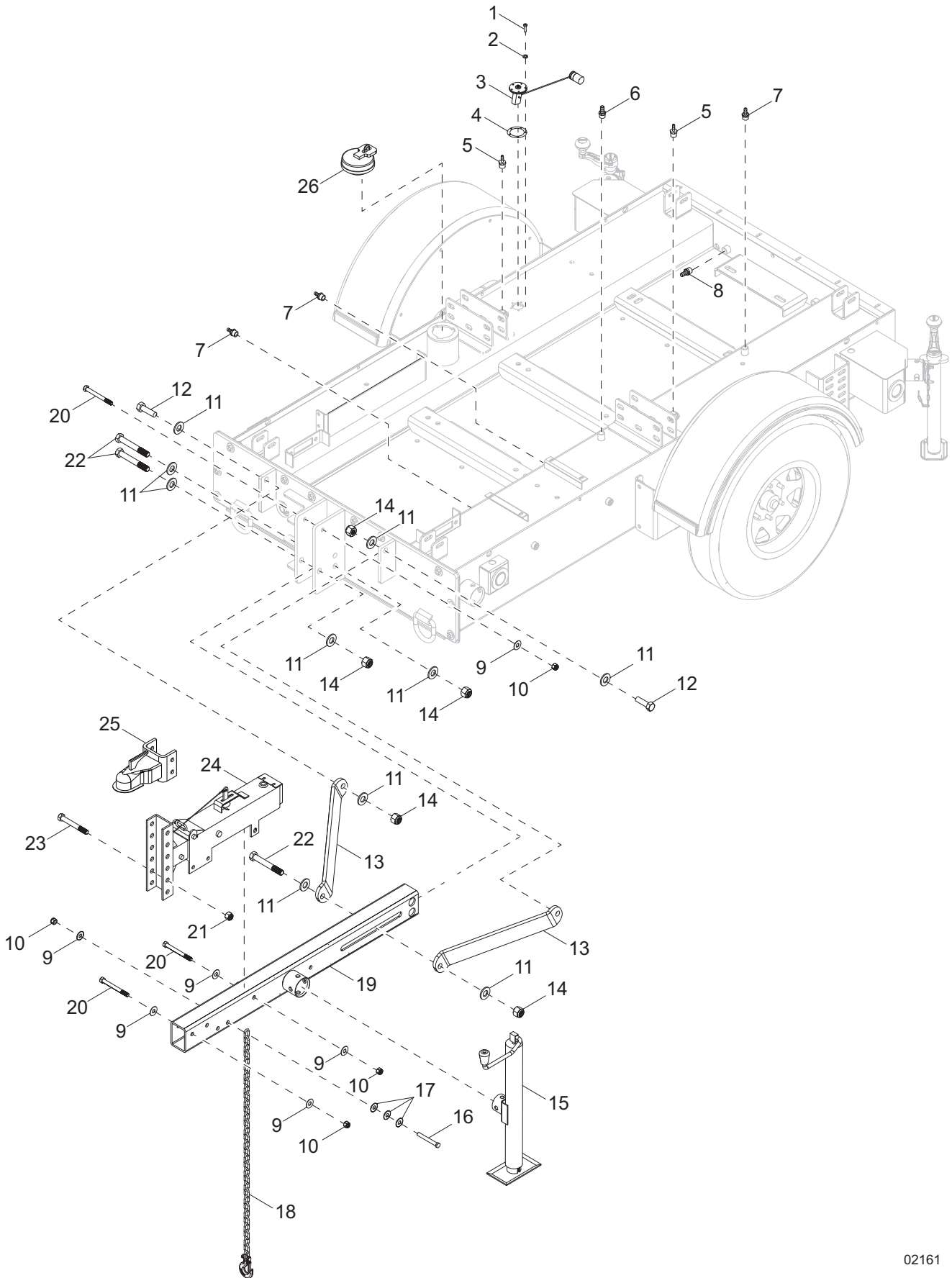


02160

FUEL TANK / TRAILER ASSEMBLY (3 OF 3)

| Item | Part No. | Qty | Description | Notes |
|------|----------|--------|---|-------|
| 1 | 60369 | 1 | Washer, M12 external star | |
| 2 | 60019 | 1 | Screw, M12-1.75 x 20 sflg hex, G8.8 | |
| 3 | 31625 | 1 | Cable, battery - 46.0 in, 2GA black post/.500 lug | |
| 4 | 60393 | 4 | Screw, .250-20 x 1.0 hex, G5 | |
| 5 | 52976B | 1 | Cover, battery box | |
| 6 | 60032 | 1 | Nut, M8-1.25 hex, G8.8 | |
| 7 | 60271 | 1 | Washer, .312 split lock | |
| 8 | 24777 | 1 | Cable, batter - 54.0 in, 2GA red w/lead -.375 lug | |
| 9 | 41185 | 1 | Pad, battery - 6.0 x 10.0 black | |
| 10 | 61066 | 4 | Screw, .312-18 x 1.0 carriage, SS | |
| 11 | 52975B | 1 | Box, battery | |
| 12 | 36879 | 1 | Light, license plate | |
| 13 | 60244 | 2 | Screw, 8-32 x .750 pan phil, G2 | |
| 14 | 60270 | 2 | Nut, 8-32 nylock, G6 | |
| 15 | 62221 | 2 | Nut, .500-13 x 1.50 hex, G5 | |
| 16 | 60309 | 4 | Washer, .500 flat 1.060/.090 | |
| 17 | 31680B | 1 | Bracket, volute support | |
| 18 | 60484 | 2 | Screw, .500-13 x 2.0 hex, G5 | |
| 19 | 60240 | 3 | Nut, .625-11 nylock, G5 | |
| 20 | 63265 | 6 | Washer, .625 flat 1.312/.07-.13 | |
| 21 | 60397 | 4 | Screw, 10-32 x 1.0 pan phil, G2 | |
| 22 | 60649 | 1 | Clamp, tubing .750 heavy duty | |
| 23 | 60139 | 2 | Screw, .375-16 nylock, G5 | |
| 24 | 60698 | 2 | Washer, .375 flat .875/.040, SS | |
| 25 | 52960B | 1 | Bracket, fuel filter/pump | |
| 26 | 61069 | 3 | Screw, .625-11 x 1.750 hex, G5 | |
| 27 | 62108 | 2 | Fitting, 90° - .375MNPT x .375 barb, brass | |
| 28 | 33146 | 2 | Fitting, strt - .375FNPT x M16-1.5 male | |
| 29 | 19453 | 8 | Clamp, hose - SAE006 (.37-.87) | |
| 30 | 51022 | 3.1 ft | Hose, fuel - .500ID, 125 PSI | |
| 31 | 52216 | 1 | Pre-filter, fuel | |
| 32 | 60358 | 2 | Nut, .375-16 nylock, G5 | |
| 33 | 63233 | 2 | Seal, M16 | |
| 34 | 51022 | 1.5 ft | Hose, fuel - .500 ID, 125 PSI | |
| 35 | 31451 | 1 | Pump, fuel | |
| 36 | 60061 | 4 | Nut, 10-32 nylock | |
| 37 | 51021 | 1.5 | Hose, fuel - .375 ID, 125 PSI | |
| 38 | 62145 | 1 | Fitting, 90° - .375MNPT x .375 barb, brass | |
| 39 | 60303 | 4 | Nut, .312-18 nylock, G2 | |
| 40 | 60119 | 4 | Washer, .312 flat .875/.070 | |
| 41 | 60205 | 4 | Screw, .375-16 x 1.0 hex, G5 | |
| 42 | 60386 | 4 | Washer, .375 flat .993/.064 | |
| 43 | 51021 | 3.2 ft | Hose, fuel - .375 ID, 125 PSI | |
| 44 | 60144 | 4 | Nut, .250-20 nylock, G5 | |

FUEL TANK / TRAILER ASSEMBLY (2 OF 3)

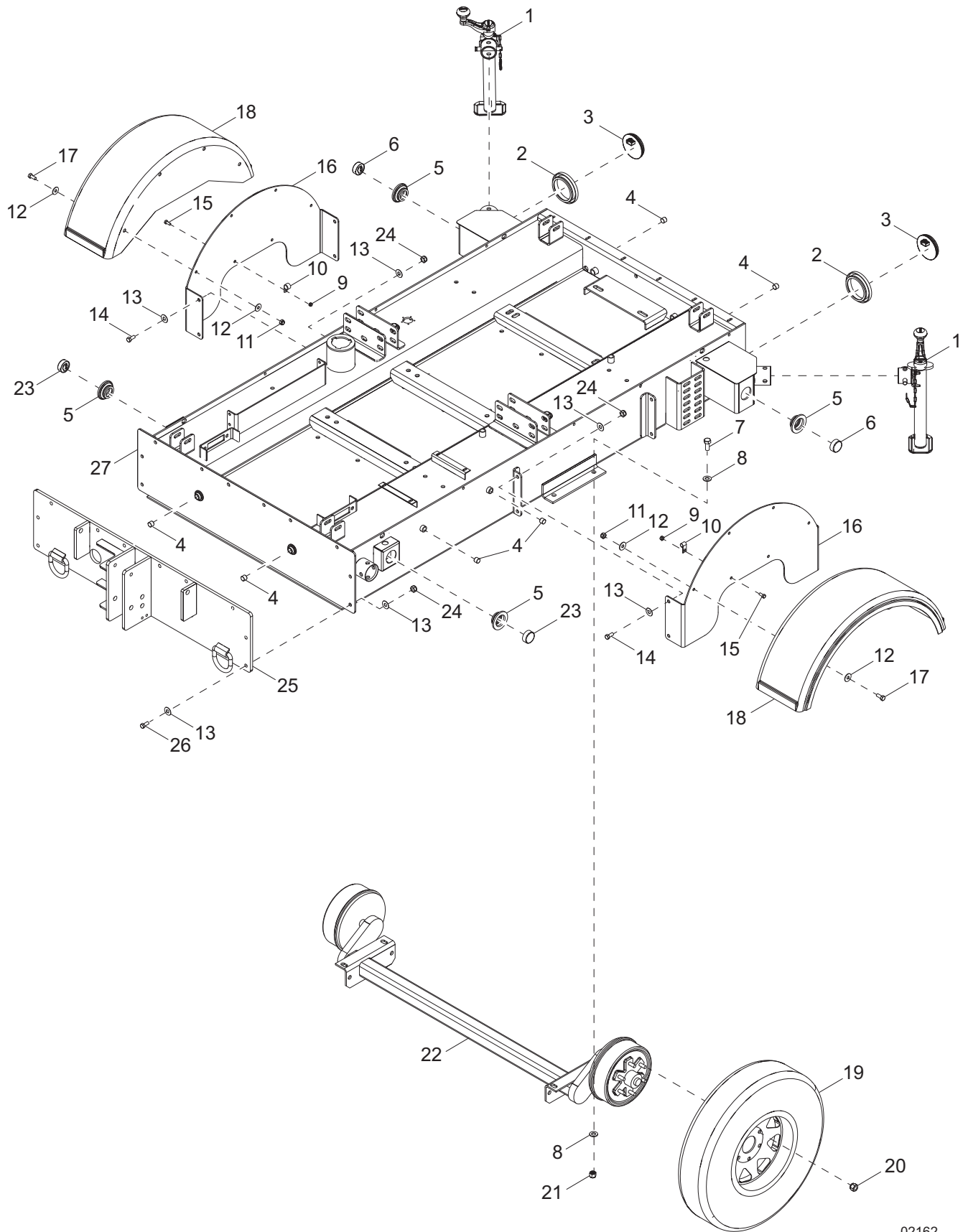


02161

FUEL TANK / TRAILER ASSEMBLY (2 OF 3)

| Item | Part No. | Qty | Description | Notes |
|------|----------|-----|--|-------|
| 1 | 60156 | 5 | Screw, M5-0.80 x 16 pan phil, G4.8 | |
| 2 | 60252 | 5 | Washer, #10 split lock | |
| 3 | 20571 | 1 | Sender, fuel - 10-15 in tank | |
| 4 | 22323 | 1 | Gasket, fuel sending unit | |
| 5 | 60999 | 2 | Fitting, strt - .500MNPT x .312 barb, brass | |
| 6 | 40728 | 1 | Fitting, strt - .500MNPT x .500 barb, brass | |
| 7 | 23816 | 3 | Fitting, strt - .500MNPT x .375 barb, brass | |
| 8 | 60502 | 2 | Fitting, strt - .500MNPT x .625 barb, brass | |
| 9 | 60309 | 26 | Washer, .500 flat 1.060/.090 | |
| 10 | 62221 | 12 | Nut, .500-13 nylock, G5 | |
| 11 | 60527 | 12 | Washer, .750 flat 1.50/.125 | |
| 12 | 60846 | 2 | Screw, .750-10 x 2.50 hex, G5 | |
| 13 | 31524B | 2 | Support, tongue | |
| 14 | 60584 | 6 | Nut, .750-10 nylock, G5 | |
| 15 | 13051 | 1 | Assembly, 2000 lb top wind jack - tube mount | |
| 16 | 60376 | 2 | Screw, .500-13 x 4.50 hex, G5 | |
| 17 | 60416 | 10 | Washer, .500 flat 1.375/.090, SS | |
| 18 | 23367 | 2 | Chain, safety - 7,800 lbs rated | |
| 19 | 53545B | 1 | Weldment, tongue | |
| 20 | 61099 | 3 | Screw, .500-15 x 5.0 hex, G8 | |
| 21 | 60240 | 2 | Nut, .625-11 nylock, G5 | |
| 22 | 53157 | 4 | Screw, .750-10 x 5.0 hex, G8 | |
| 23 | 60239 | 2 | Screw, .625-11 x 5.0 std hex, G5 | |
| 24 | 40529 | 1 | Actuator, hydraulic surge brake | |
| 25 | 19518 | 1 | Coupler, 2.0 ball | |
| 26 | 23707 | 1 | Cap, fuel | |

FUEL TANK / TRAILER ASSEMBLY (1 OF 3)

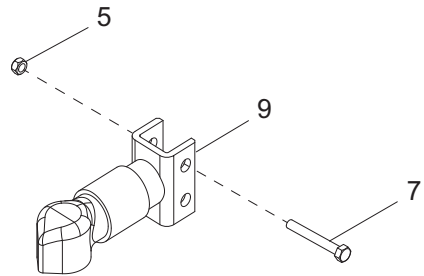
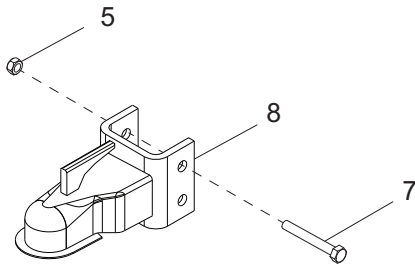
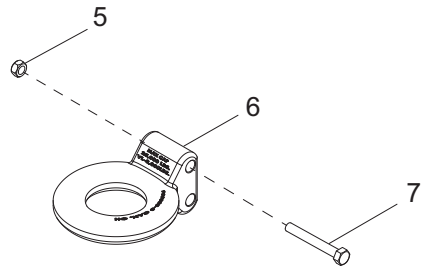
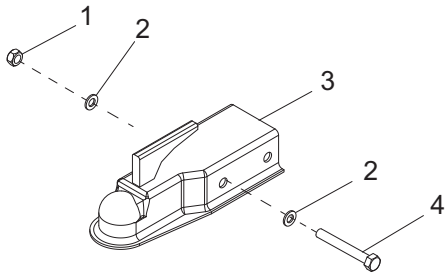


02162

FUEL TANK / TRAILER ASSEMBLY (1 OF 3)

| Item | Part No. | Qty | Description | Notes |
|------|----------|-----|--|----------------|
| 1 | 72126 | 2 | Jack, top wind, 1200 lb - tube mount, long foot | |
| 2 | 10221 | 2 | Grommet, rear light 4.50 - rubber | |
| 3 | 66701 | 2 | Light, stop/tail/turn, RD4.0 - LED, 12V | |
| 4 | 18394 | 6 | Fitting, plug - .500NPT x internal hex, steel | |
| 5 | 66394 | 4 | Grommet, sealed beam light 2.0 - rubber | |
| 6 | 66703 | 2 | Light, clearance 2.0, red - LED | |
| 7 | 61069 | 4 | Screw, .625-11 x 1.750 hex, G5 | |
| 8 | 60180 | 8 | Washer, .625 flat 1.750/.10-.16, USS | |
| 9 | 60144 | 4 | Nut, .250-20 nylock, G5 | |
| 10 | 15626 | 4 | Clamp, tubing - .375 light duty | |
| 11 | 60358 | 8 | Nut, .375-16 nylock, G5 | |
| 12 | 60386 | 16 | Washer, .375 flat .993/.064 | |
| 13 | 60309 | 36 | Washer, .500 flat 1.060/.090 | |
| 14 | 60388 | 8 | Screw, .500-13 x 1.50 hex, G5 | |
| 15 | 60684 | 4 | Screw, .250-20 x .875 hex, SS | |
| 16 | 52951B | 2 | Bracket, fender mounting | |
| 17 | 60352 | 8 | Screw, .375-16 x 1.250 hex, G5 | |
| 18 | 11381 | 2 | Fender, plastic | |
| 19 | 18377B | 2 | Wheel, ST225/75R15, 2540 lb - load D, black | |
| 20 | 60096 | 12 | Nut, .500-20 lug, G5 | |
| 21 | 60240 | 4 | Nut, .625-11 nylock, G5 | |
| 22 | 31428 | 1 | Axle, 6000 lb Torflex - hydraulic brake | |
| 23 | 66702 | 2 | Light, clearance 2.0, amber - LED | |
| 24 | 62221 | 18 | Nut, .500-13 x 1.50 hex, G5 | |
| 25 | 31695B | 1 | Weldment, tongue support | |
| 26 | 60484 | 10 | Screw, .500-13 x 2.0 hex, G5 | |
| 27 | 31670B | 1 | Weldment, chassis/fuel tank | |
| -- | 54017 | 1 | Harness, trailer lights | |
| -- | 60281 | 1 | Screw, .250-20 x .750 hex, G5 | use with 54017 |
| -- | 60144 | 1 | Nut, .250-20 nylock, G5 | use with 54017 |
| -- | 60747 | 1 | Washer .375 internal star | use with 54017 |
| -- | 65465 | 1 | Adapter, trailer wiring, flat 4 to round 7 blade | |
| -- | 67856 | 1 | Harness, trailer extension assembly | |

TRAILER HITCH OPTIONS

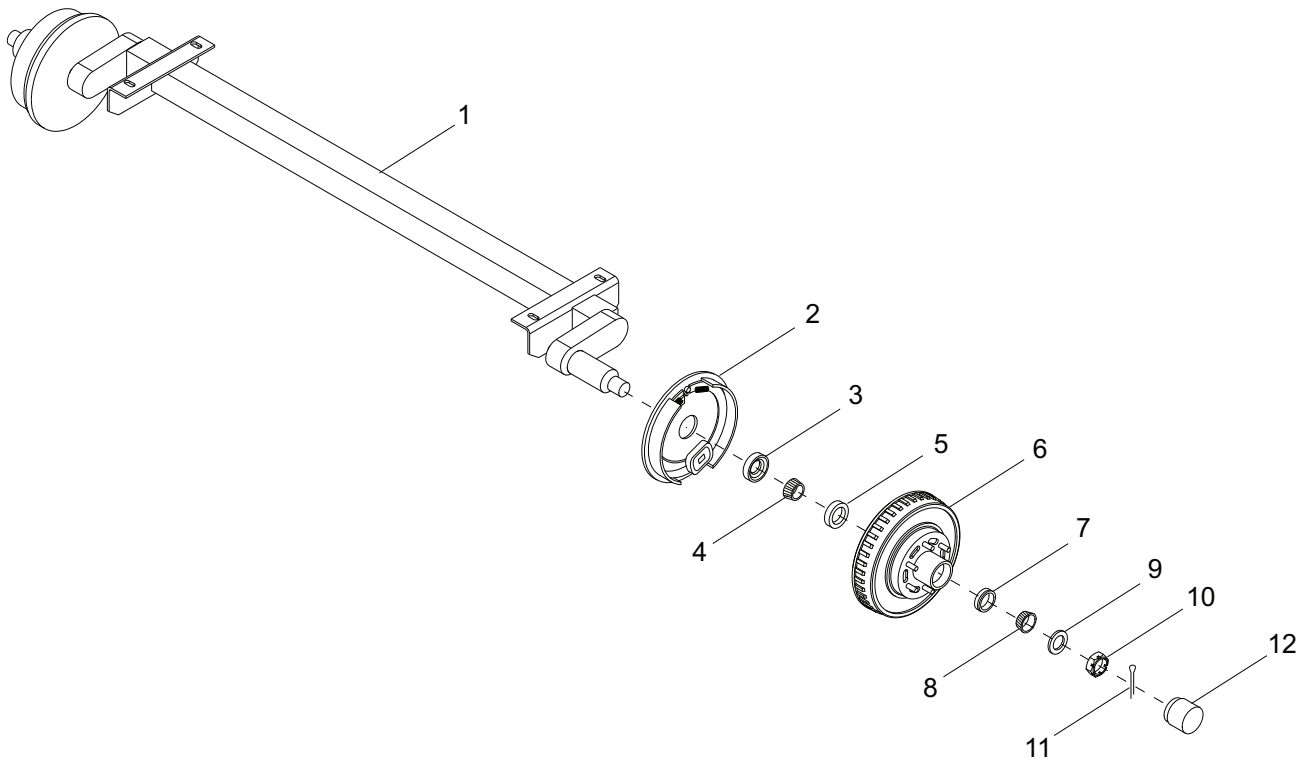


02163

TRAILER HITCH OPTIONS

| Item | Part No. | Qty | Description | Notes |
|------|----------|-----|---|----------------|
| 1 | 62221 | 3 | Nut, .500-13 nylock, G5 | |
| 2 | 60309 | 6 | Washer, .500 flat 1.060/.090 | |
| 3 | 23162 | 1 | Coupler, 2.0 ball/3.0 channel - 5000 lb | |
| 4 | 61099 | 3 | Screw, .500-13 x 5.0 std hex, G8 | |
| 5 | 60240 | 2 | Nut, .625-11 nylock, G5 | |
| 6 | 19335B | 1 | Coupler, lunette ring - 3.0 ID | |
| 7 | 60239 | 2 | Screw, .625-11 x 5.0 std hex, G5 | |
| 8 | 19519 | 1 | Coupler, 2.31 ball | |
| 9 | 41795 | 1 | Coupler, 2.31 ball - 12500 lb, Bulldog | |
| -- | 65593 | 1 | Adapter, trailer - 4 pin and 2 pin to 6 pin | Electric Brake |
| -- | 65583 | 1 | Adapter, trailer - round 6 pin to round 7 spade | Electric Brake |
| -- | 65463 | 1 | Adapter, trailer - flat 4 pin to round 6 pin | Surge Brake |
| -- | 65464 | 1 | Adapter, trailer - flat 4 pin to round 7 pin | Surge Brake |
| -- | 65465 | 1 | Adapter, trailer - flat 4 pin to round 7 spade | Surge Brake |

AXLE ASSEMBLY



00259

AXLE ASSEMBLY

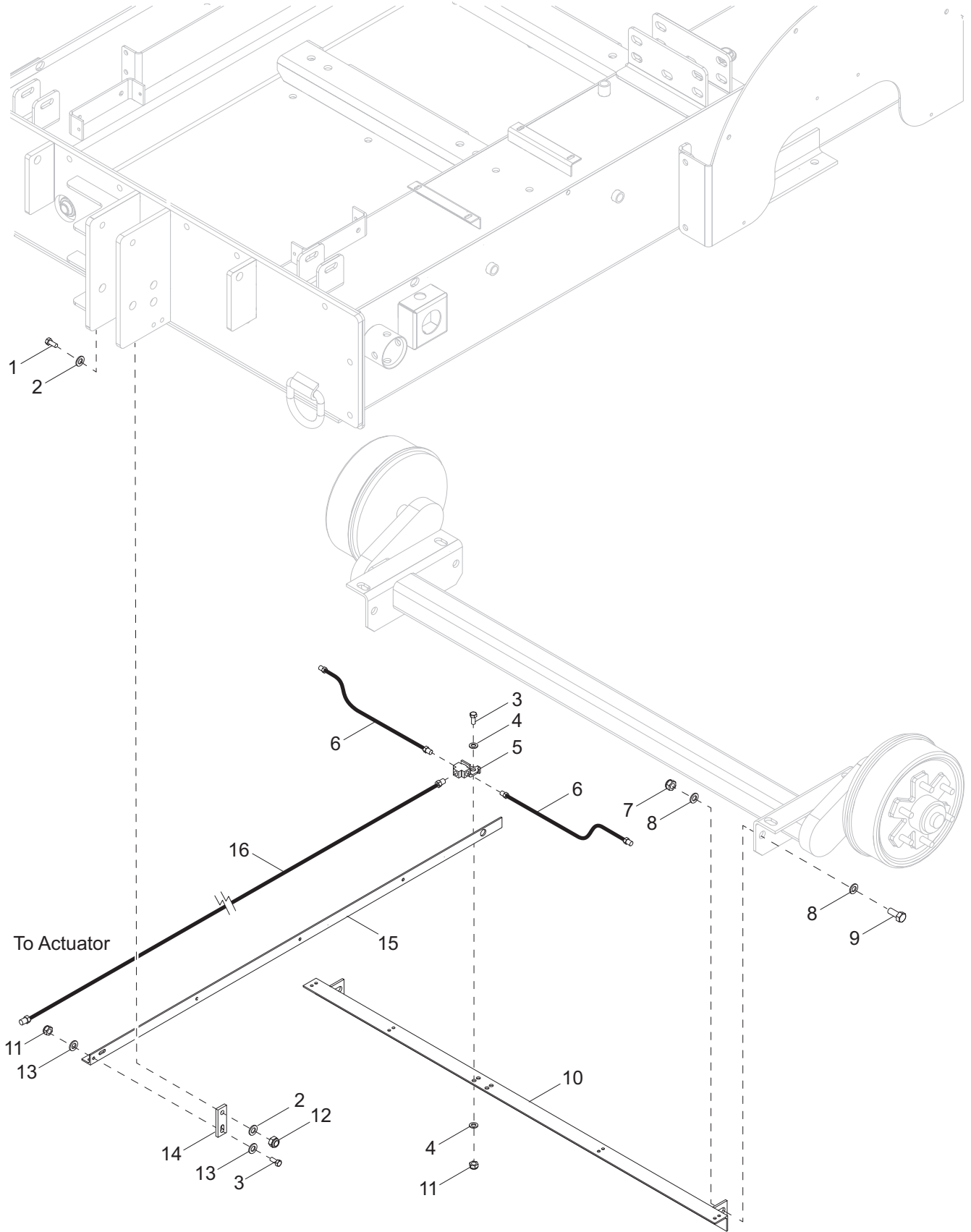
| Item | Part No. | Qty | Description | Notes |
|------|----------|-----|----------------------------------|--------------|
| 1 | 31428 | 1 | Axle, 6000 lb. - Torflex | Hydraulic |
| 2 | 26571 | 1 | Surge free-backing brake - left | |
| | 26572 | 1 | Surge free-backing brake - right | |
| 3 | 26575 | 2 | Inner grease seal 2.125 in | |
| 4 | 26576 | 2 | Inner hub bearing | |
| 5 | 26577 | 2 | Inner bearing cup | |
| 6 | 22387 | 2 | Drum, large trailer brake | 6000 lb axle |
| 7 | 26584 | 2 | Outer bearing cup | |
| 8 | 26585 | 2 | Outer hub bearing | |
| 9 | 26581 | 2 | Spindle washer | |
| 10 | 12308 | 2 | Spindle nut | |
| 11 | 26583 | 2 | Spindle nut - cotter pin | |
| 12 | 26586 | 2 | Dust cap | |

OPTIONAL FEATURES

Axle - Electric Brake:

| | | | | |
|----|-------|---|----------------------------------|----------|
| -- | 54304 | 1 | Axle, 6000 lb. - Torflex | Electric |
| -- | 26573 | 1 | Assembly, electric brake - left | |
| -- | 26574 | 1 | Assembly, electric brake - right | |

TRAILER BRAKE LINES



02164

TRAILER BRAKE LINES

| Item | Part No. | Qty | Description | Notes |
|------|----------|-----|--|-------|
| 1 | 60831 | 1 | Screw, .375-16 x 1.50 hex, SS | |
| 2 | 60698 | 2 | Washer, .375 flat .875/.040, SS | |
| 3 | 60684 | 2 | Screw, .250-20 x .875 hex, SS | |
| 4 | 60340 | 2 | Washer, .312 flat .875/.040, SS | |
| 5 | 19252 | 1 | Fitting, strt .188 brake line T - w/bracket - female | |
| 6 | 40819 | 2 | Hose, brake .188 x 60.0 male/male | |
| 7 | 62221 | 2 | Nut, .500-13 nylock, G5 | |
| 8 | 60416 | 4 | Washer, .500 flat .375/.090 | |
| 9 | 61103 | 2 | Screw, .500-13 x 1.750 sflg | |
| 10 | 54107B | 1 | Weldment, brake line support - axle end | |
| 11 | 60144 | 1 | Nut, .250-20 nylock, G5 | |
| 12 | 60358 | 1 | Nut, .375-16 nylock, G5 | |
| 13 | 60166 | 2 | Washer, M8 flat | |
| 14 | 54103B | 1 | Bracket, brake line support | |
| 15 | 54105B | 1 | Angle, center brake line support | |
| 16 | 23250 | 1 | Hose, brake .188 x 94.0 male/male | |
| -- | 15626 | 2 | Clamp, tubing - .375 lt duty | |
| -- | 60231 | 2 | Rivet, .188 dia x .375 to .500 grip | |

RECOMMENDED SPARE PARTS LIST

ENGINE

| | |
|--|-------|
| Alternator, engine..... | 52214 |
| Belt, fan | 52213 |
| Cap, filler | 52225 |
| Cap, radiator..... | 39850 |
| Dipstick, | 52215 |
| Element, air filter | 22874 |
| Fan, pusher | 31410 |
| Filter, fuel..... | 52217 |
| Filter, oil | 52212 |
| Hose, radiator - lower | 31440 |
| Hose, radiator - upper..... | 31439 |
| Pre-filter, fuel | 52216 |
| Pump, fuel | 31451 |
| Sensor, temp, valve cover | 52220 |
| Sensor, temp | 52221 |
| Sensor, low coolant | 68206 |
| Sensor, oil pressure, valve cover..... | 52224 |
| Sensor, oil pressure | 52223 |
| Starter, engine | 52219 |

PUMP

| | |
|--------------------------------------|-------|
| Belt, compressor..... | 31432 |
| Compressor, air | 49267 |
| Element, compressor air cleaner..... | 31631 |
| Gasket, compressor | 49421 |
| Impeller..... | 52114 |
| Mechanical seal | 52126 |
| Wear Ring..... | 52107 |

ELECTRICAL

| | |
|---------------------------------------|-------|
| Controller, LOFA 750, programmed..... | 54305 |
| E-stop switch | 65470 |
| E-stop contact NO/NO | 65584 |
| Glow relay..... | 66455 |

TRAILER

| | |
|-------------------------------|-------|
| Cap, fuel fill..... | 23707 |
| Jack, side wind (rear) | 41133 |
| Jack, top wind (tongue) | 13051 |

MAINTENANCE KITS

| | |
|-------------------------------|---------|
| 500 hr maintenance kit | SKM0005 |
| 2000 hr maintenance kit | SKM0009 |

